

# SHOP MANUAL

# ALLIS-CHALMERS

## MODELS 180, 185, 190, 190XT, 200, 7000

### INDEX (By Starting Paragraph)

<b>BELT PULLEY</b> .....	150	<b>ENGINE (DIESEL) CONT.</b>		<b>FRONT SYSTEM</b>	
<b>BRAKES</b>		Rear oil seal .....	44	Adjustable axle .....	5
180 and 185 .....	141	Rocker arms .....	27	Dual wheel tricycle .....	3
190, 190XT and 200 .....	144, 146	Speed adjustments .....	72	Single wheel tricycle .....	1
7000 .....	148	Timing gear cover .....	29		
<b>CLUTCH</b>		Timing gears .....	30	<b>GASOLINE FUEL SYSTEM</b>	
Engine clutch .....	85	Turbocharger .....	73	Carburetor .....	49
Engine clutch shaft .....	89	Valve clearance .....	28	Fuel pump .....	51
"Power-Director" clutch .....	93	Valve guides .....	24		
"Power Shift" clutches .....	101	Valves & valve seats .....	22	<b>GOVERNOR (NON-DIESEL)</b>	
		Valve springs .....	25	Adjustment .....	76
		Valve timing .....	30	Overhaul .....	77
<b>COOLING SYSTEM</b>		<b>ENGINE (NON-DIESEL)</b>		<b>IGNITION SYSTEM</b>	
Water pump .....	79	Assembly—R&R .....	20	Distributor .....	82
Oil cooler .....	75	Cam followers .....	26	Ignition timing .....	83
Radiator .....	78	Camshaft .....	36		
<b>DIESEL FUEL SYSTEM</b>		Connecting rods & bearings .....	41	<b>LP-GAS SYSTEM</b>	
Filters and bleeding .....	60	Crankshaft & bearings .....	42	Adjustments .....	52
Injection pump .....	70	Cylinder head .....	21	Carburetor .....	53
Injection pump gears .....	33, 33A	Cylinder sleeves .....	39	Filter .....	56
Nozzles .....	62	Flywheel .....	45	Regulator .....	54
<b>DIFFERENTIAL</b>		Front oil seal .....	43		
Adjustment .....	124	Ignition timing .....	83	<b>"POWER-DIRECTOR"</b>	
R&R and overhaul .....	125	Main bearings .....	42	Clutch .....	93
		Oil pan .....	46	Control valve .....	92
<b>ELECTRICAL</b> .....	81	Oil pump .....	47	Shafts and gears .....	95
<b>ENGINE (DIESEL)</b>		Piston pins .....	40		
Assembly—R&R .....	20	Piston & rod removal .....	38	<b>"POWER SHIFT"</b>	
Cam followers .....	26	Pistons & rings .....	39	Clutches .....	101
Camshaft .....	36	Rear oil seal .....	44	Control valves .....	100
Connecting rods & bearings .....	41	Rocker arms .....	27	Shafts and gears .....	103
Crankshaft and bearings .....	42	Spark plugs .....	81		
Cylinder head .....	21	Speed adjustment .....	76	<b>POWER LIFT SYSTEM</b>	
Cylinder sleeves .....	39	Timing gear cover .....	29	Pump .....	184
Flywheel .....	45	Timing gears .....	30	Testing .....	174
Front oil seal .....	43	Valve clearance .....	28	Work cylinders .....	193
Injection timing .....	70	Valve guides .....	24		
Main bearings .....	42	Valves & valve seats .....	23	<b>POWER TAKE-OFF</b> .....	154
Oil pan .....	46	Valve springs .....	25	<b>STEERING SYSTEM</b> .....	11
Oil pump .....	47, 47A	Valve timing .....	30		
Piston pins .....	40	<b>FINAL DRIVE &amp; DIFFERENTIAL</b>		<b>TRANSMISSION</b>	
Piston & rod removal .....	38	Bevel gears adjust .....	128	Bevel pinion shaft .....	110, 115, 120
Pistons and rings .....	39	Bull gear renew .....	131, 137	Countershaft .....	112, 117, 122
		Bull pinion renew .....	133, 136	Input shaft .....	109, 114, 119
		Differential overhaul .....	125	Reverse idler .....	113, 118, 123
		Wheel axle shafts .....	131, 139	Shifter assembly .....	107, 108

# Excavator Service Repair Manual

**PLEASE CLICK HERE**

**Then back to the site.**

**At the bottom of the**

**page,**

**free add to card.**

**Then get more free  
information**

ALLIS CHALMERS Models 180 185 190 190XT 200 7000 TRACTOR Service Repair Manual in the technological know-how of archaeology. The man or woman sorts of excavation are regarded simply as digs to people who participate in, with this being an over literal description of the technique used. An excavation issues itself with a particular archaeological web page or associated collection of web sites, and can be carried on over a amount of years, thinking about that the paintings can normally instances typically be of a seasonal nature. **ALLIS CHALMERS Models 180 185 190 190XT 200 7000 TRACTOR Service Repair Manual**

Inside of the enterprise of excavation, many lots greater strategies can be utilized, with each unmarried dig acquiring its very own precise traits which could necessitate variations of technique. Methods and different sensible problems do not permit archaeologists to carryout excavations each time and anyplace they choose, as many regarded web sites have additionally been intentionally left on my own and non excavated.

# CONDENSED SERVICE DATA

GENERAL	180, 185 & 190		One-Ninety XT			200, 7000
	Gasoline	Diesel	Gasoline	LP-Gas	Diesel	
Engine Make	Own	Own	Own	Own	Own	Own
Engine Model	G2500	2800	G2800XT	G2800LPXT	2900XT	2900
Number of Cylinders	6	6	6	6	6	6
Bore—Inches	3¾	3-7/8	3-7/8	3-7/8	3-7/8	3-7/8
Stroke—Inches	4	4¼	4¼	4¼	4¼	4¼
Displacement—Cubic Inches	265	301	301	301	301	301
Main Bearings, Number of	7	7	7	7	7	7
Cylinder Sleeves	Wet	Wet	Wet	Wet	Wet	Wet
Generator and Starter Make	Delco-Remy	Delco-Remy	Delco-Remy	Delco-Remy	Delco-Remy	Delco-Remy#

#Some models are equipped with a Lucas starter.

## TUNE-UP

Firing Order	1-5-3-6-2-4	1-5-3-6-2-4	1-5-3-6-2-4	1-5-3-6-2-4	1-5-3-6-2-4	1-5-3-6-2-4
Valve Tappet Gap (Hot) Intake	.020	.015	.020	.020	.015	.015
Valve Tappet Gap (Hot) Exhaust	.025	.015	.025	.025	.015	.015
Inlet Valve Seat Angle (Degrees)	30	30	30	30	30	30
Exhaust Valve Seat Angle (Degrees)	45	45	45	45	45	45
Ignition Distributor Make	D-R	...	D-R	D-R	...	...
Breaker Gap	.016	...	.016	.016	...	...
Ignition Timing at 2200 rpm	26° BTDC	...	26° BTDC	26-28° BTDC	...	...
Timing Mark Location	Crankshaft Pulley		Crankshaft Pulley			
Spark Plug—						
A-C	45XL	...	45XL	42XL	...	...
Autolite	AG-3A	...	AG-3A	...	...	...
Champion	N-6	...	N-6	N-3	...	...
Electrode Gap	.025	...	.025	.020	...	...
Injection Timing						
190, 190XT and 200	...	28° BTDC	...	...	26° BTDC	24° BTDC##
180, 185 and 7000	...	26° BTDC	...	...	...	18° BTDC
Injection Pump Make	...	Roosa-Master	...	...	Roosa-Master	Roosa-Master
Carburetor Make	Holley	...	Holley	Ensign	...	...
Carburetor Model	1970	...	1970	CBX	...	...
Battery Terminal, Grounded	Neg.	Neg.	Neg.	Neg.	Neg.	Neg.
Engine Low Idle rpm	425†	675	425	425	675	775
Engine High Idle rpm, No Load	2450†	2400††	2450	2450	2400	2400
Engine Full Load rpm	2200†††	2200†††	2200	2200	2200	2200

†Refer to paragraph 76 for 180 non-diesel. ††Refer to paragraph 72 for 180 diesel.

†††Full load rpm should be 2000 for all 180 models. ##Model 200 after serial no. 2D-69515 same as 7000.

## SIZES—CAPACITIES—

### CLEARANCES

(Clearances in Thousandths)

Crankshaft Main Journal Diameter	2.7475	2.7475	2.7475	2.7475	2.7475	2.7475
Crankpin Diameter	2.373	2.373	2.373	2.373	2.373	2.373
Camshaft Journal Diameter, All	2.1305	2.1305	2.1305	2.1305	2.1305	2.1305
Piston Pin Diameter	1.2516	1.2516	1.2516	1.2516	1.2516	1.2516
Valve Stem Diameter, Inlet	0.3717	0.3717	0.3717	0.3717	0.3717	0.3717
Exhaust	0.3707	0.3707	0.3707	0.3707	0.3707	0.3707
Main Bearing Diametral Clearance	1.6-4.3	1.6-4.3	1.6-4.3	1.6-4.3	1.6-4.3	1.6-4.3
Rod Bearing Diametral Clearance	0.9-3.4	0.9-3.4	0.9-3.4	0.9-3.4	0.9-3.4	0.9-3.4
Piston Skirt Diametral Clearance	1.5-4.0	3.5-6.0	1.5-4.0	1.5-4.0	3.5-6.0	4.5-7.0
Camshaft End Play	4-9	4-9	4-9	4-9	4-9	4-9
Camshaft Bearings Diametral Clearance	2-6	2-6	2-6	2-6	2-6	2-6
Camshaft End Play	3-9	3-9	3-9	3-9	3-9	3-9
Cooling System Capacity, Quarts	18	18	18	18*	18*	18*
Crankcase Oil, Quarts	8-12**	8-12**	8-12**	8-12**	8-12**	8-12**
Power-Director and Hydraulic System, Quarts	24-36**	24-36**	24-36**	24-36**	24-36**	26-28**
Transmission, Quarts	27-32**	27-32**	27-32**	27-32**	27-32**	32-38**
Final Drive, Quarts (each)	8***	8***	8***	8	8	8

\*Capacity 22.5 qts. on 7000.

\*\*Approximate capacity.

\*\*\*Capacity 1 quart on 180 and 185 models.

## CONDENSED SERVICE DATA CONT.

### TIGHTENING TORQUES— FOOT-POUNDS

General Recommendations	See End of Shop Manual			
Connecting Rod Screws	40-45		40-45	
Cylinder Head Screws	150		150	
Flywheel Screws	68-73		68-73	
Injection Nozzel Nuts	9-12	...	9-12	11-13
Main Bearing Screws	130-140		130-140	

## FRONT SYSTEM

### SINGLE WHEEL TRICYCLE

**1. WHEEL ASSEMBLY.** The single front wheel assembly may be removed after raising front of tractor and removing bolt (3—Fig. 1) at each end of wheel axle (1).

To renew bearings and/or seals, first remove wheel assembly; then unbolt and remove bearing retainer (10—Fig. 2), seal (4), seal retainer (5) and shims (9). Drive or press on opposite end to remove axle (8), bearing cones (7) and bearing cup from retainer side of hub. Drive the remaining seal and bearing cup out of hub. Remove bearing cones from spindle.

Soak new felt seals in oil prior to installing seals and seal retainers. Drive bearing cup into hub until cup is firmly seated. Drive bearing cones tightly against shoulders on axle. Pack bearings with No. 2 wheel bearing grease. Install axle and bearing cup in against cone. When installing bearing retainer, vary number of shims (9—Fig. 2) to give bearings a free-rolling fit with no end play.

Front wheel bearings should be repacked with No. 2 wheel bearing grease after each 500 hours of use.

If necessary to renew wheel hub or repair tire, deflate tire before unbolting

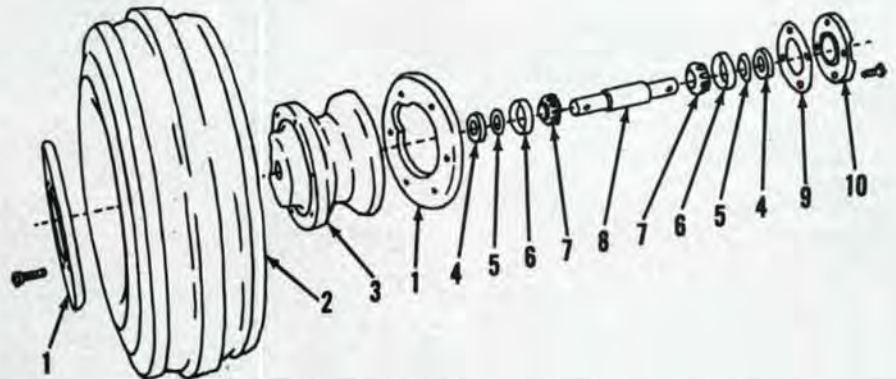


Fig. 2—Exploded view of single front wheel assembly.

- |                   |                       |                      |                      |
|-------------------|-----------------------|----------------------|----------------------|
| 1. Side rings (2) | 4. Seals (2)          | 6. Bearings cups (2) | 8. Axle              |
| 2. Tire           | 5. Seal retainers (2) | 7. Bearing cones (2) | 9. Shims             |
| 3. Wheel hub      |                       |                      | 10. Bearing retainer |

and removing tire retaining rings (1—Fig. 2).

**2. R&R SINGLE WHEEL FORK.** Raise front end of tractor, remove bolts (3—Fig. 1) from each end of wheel axle and remove wheel assembly from fork. Unbolt and remove fork (2) from steering gear shaft.

Make sure that steering gear is centered and reinstall fork with caster to rear. Tighten retaining screws to a torque of 180-190 ft.-lbs.

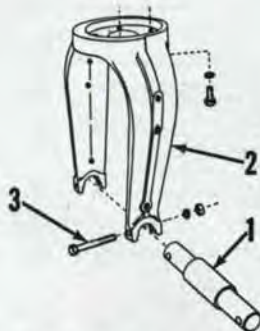


Fig. 1—Exploded view of the single front wheel fork and associated parts.

- |         |         |              |
|---------|---------|--------------|
| 1. Axle | 2. Fork | 3. Bolts (2) |
|---------|---------|--------------|

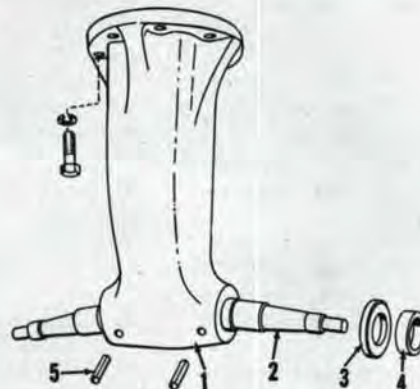


Fig. 3—Dual wheel tricycle spindles (2) can be removed after removing groove pins (5).

- |             |            |           |                   |               |
|-------------|------------|-----------|-------------------|---------------|
| 1. Pedestal | 2. Spindle | 3. Shield | 4. Bearing spacer | 5. Groove pin |
|-------------|------------|-----------|-------------------|---------------|

### DUAL WHEEL TRICYCLE

**3. WHEEL ASSEMBLY.** The stamped steel wheel disc is reversible on hub. Bearing adjustment is made by tightening retaining nut on spindle until bearings are firmly seated, backing nut off one castellation and installing cotter pin. Bearings should be repacked with No. 2 wheel bearing grease after each 500 hours of use.

Dual wheel pedestal spindles are equipped with an external lip type seal (1—Fig. 4). The three lips on outside diameter of seal contact a steel wear sleeve that is pressed into the front wheel hub. Drive wear sleeve into hub with crimped edge of wear sleeve

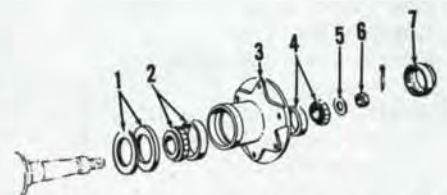


Fig. 4—Exploded view of wheel hub and bearing used on dual wheel tricycle and wide front axle models.

- |                         |                  |              |                  |           |        |            |
|-------------------------|------------------|--------------|------------------|-----------|--------|------------|
| 1. Wear sleeve and seal | 2. Inner bearing | 3. Wheel hub | 4. Outer bearing | 5. Washer | 6. Nut | 7. Hub cap |
|-------------------------|------------------|--------------|------------------|-----------|--------|------------|

towards bearing until sleeve is 1/4 inch below flush with hub.

**4. R&R PEDESTAL.** Raise front of tractor, then remove cap screws retaining pedestal (1—Fig. 3) to steering gear shaft.

When reinstalling, make certain that the steering gear shaft is centered and install pedestal with wheels in straight ahead position and caster to rear. Tighten retaining screws to 130-140 ft.-lbs. torque.

**ADJUSTABLE FRONT AXLE**

**5. WHEEL ASSEMBLY.** Refer to Fig. 4. Stamped wheel disc is reversible on hub. Bearing adjustment is made by tightening retaining nut on spindle until bearings are firmly seated, backing nut off one castellation and installing cotter pin. Bearings should be repacked with No. 2 wheel bearing grease after each 500 hours of use.

Crimped edge of seal shell should be towards shoulder on spindle when renewing seal (lettered side of seal shell towards bearing).

**6. AXLE ADJUSTMENTS.** The adjustable front axle provides wheel tread widths of 62-86 inches on 7000 models and 60-84 inches on all other models. Front wheels may be mounted inside out on some models to increase tread width.

Tie rods are grooved or threaded to facilitate toe-in adjustment; however, it may be advisable to measure front wheel toe-in and adjust to 1/16 to 1/8 inch. Tighten bolts in tie rod clamps securely.

**7. AXLE CENTER (MAIN) MEMBER AND RADIUS ROD ASSEMBLY.** Support front end of tractor and remove bolts through center member and axle extensions (spindle supports). Loosen or remove bolts in tie rod clamps and slide axle extension (7—Fig. 5 or 5A) with front wheels and spindles out of main member and tie rod shafts out of tie rod tubes. Remove external power steering cylinder on models so equipped. On all models, place floor jack under center member and remove pivot pin (2—Fig. 5A) on 7000 models or rear pivot screw (4—Fig. 5) and front pivot pin (2) on all other models. Lower the axle until it clears the pivot brackets, then pull center member out from under tractor.

Bushing (3—Fig. 5) on all models except 7000 is pre-sized and if carefully installed should not need reaming. Pivot pin (2) should have 0.012-0.015 clearance in bushing (3) and 0.005-0.009 clearance in front support bore.

Reverse removal procedure to install new center member.

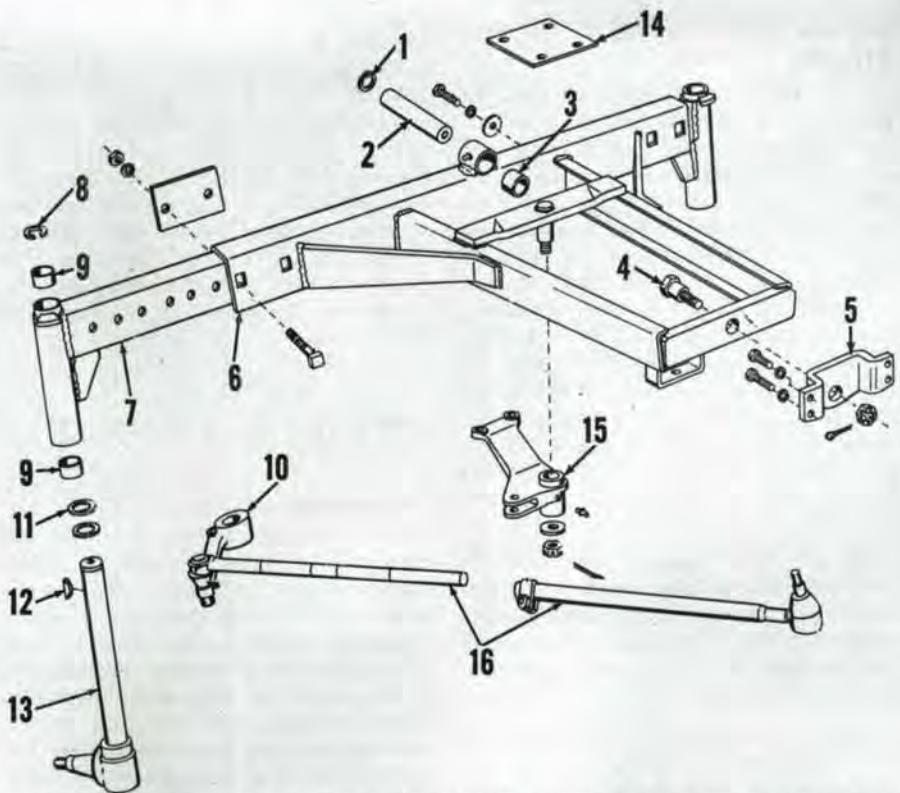


Fig. 5—Exploded view of adjustable front axle assembly used on all models except 7000. Steering arm (14) is used with internal cylinder type front support (Fig. 12). Steering arm (15) is used with external cylinder type steering (Fig. 11).

- |                         |                       |                     |                    |
|-------------------------|-----------------------|---------------------|--------------------|
| 1. Snap ring            | 4. Rear pivot screw   | 6. Axle main member | 10. Spindle arm    |
| 2. Axle front pivot pin | 5. Rear pivot bracket | 7. Axle extension   | 11. Thrust washers |
| 3. Bushing              |                       | 8. Snap rings       | 12. Key            |
|                         |                       | 9. Spindle bushings | 13. Spindle        |
|                         |                       |                     | 16. Tie rod        |

**8. SPINDLE BUSHINGS.** Support front end of tractor and remove front wheels. Remove snap ring (8—Fig. 5 or 5A), spindle arm (10) and Woodruff key (12). Spindle can then be removed from bottom of axle extension (spindle support). Drive bushings (9) from top and bottom of spindle bore and remove

thrust washers (11) from spindles.

New spindle bushings are pre-sized and should not require reaming. Press or drive bushings into support flush with ends of spindle bore. Install two thrust washers on spindle and reassemble.

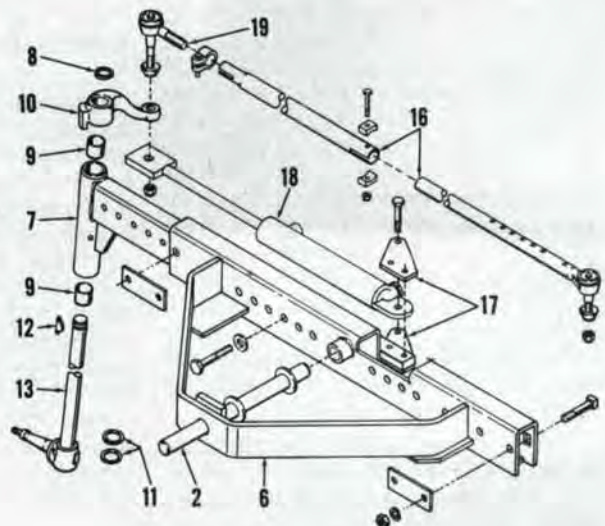


Fig. 5A—Exploded view of adjustable front axle assembly used on Model 7000. Refer to Fig. 5 for parts identification except for: 17. Cylinder brackets; 18. Power steering cylinder; 19. Tie rod end.

# Excavator Service Repair Manual

At first, excavation requires the eliminating any topsoil this is found with the aid of using an excavator machine. What is dug up can be reviewed with the aid of using a metallic detector for stray unearths however except the excavation web page has persevered to be untouched for a prolonged duration of time, there's a tiny layer of present day fabric at the floor this is of constrained archaeological interest.

In farm areas, any form of archaeological attributes need to be apparent underneath the floor. With city areas, they'll be thick layers of human deposits and simplest the uppermost may be seen to the bare eye. With both case, the first actual project is drawing a scaled web page plan which could display the rims of the excavation. This approach may be composed the usage of tape measures, or as it is greater not unusualplace those days, an digital general station. A grid is normally set up, to divide the web page.

Excavation is moreover beneficial for digging out homes and ditches. When clearing dust out for roads or sub divisions, excavation is what looks after matters. Even aleven though there are some means, the time period excavation is used each time that the earth or dust is disturbed. Heavy equipment is likewise very not unusualplace with excavation, consisting of excavator machines or backhoes. Excavating crews run the system and dig up soil and rocks for regardless of the cause can be. Excavator machines are the maximum normally used equipment, as they could flow some of dust in a touch little bit of time.

Anytime you're collaborating in excavation, you need to continually use clever practices and be safe. If you intend to get down right into a hollow or trench, you need to continually use a trench box. Even aleven though the hollow won't be that deep, excavation web sites can regularly give way and at that point - matters are very risky and probably even deadly. For digging up uncommon artifacts or installing homes or roads, excavation is a few aspect that has been round for years and years. There can be lots to discover with excavation, as you will want to discover the satisfactory manner to run an excavator machine, shoot grade, and simply a way to nicely dig holes and ditches in order that they might not give way.

volvo

volvo dealer near me

front end loader

excavator contracts

pay loader

conexpo

volvo finance

volvo log

# Excavator Service Repair Manual

volvo financial services

volvo fina

care track

caretrack

wheel loader

wheeled loaders

wheel loaders

mining in chile

soil compactor

soil compactors

excavator volvo

volvo excavators

volvo excavator

volvo services

construction equipment volvo

volvo construction equipment

volvoce

excavators volvo

volvo 750 excavator

rock truck

rock trucks

conexpo las vegas 2020

480 volvo

volvo dumper truck

excavator wheeled

wheeled excavator

wheeled excavators

skid steer volvo

# Excavator Service Repair Manual

volvo skid steer

volvo skid steers

volvo skidsteer

construction excavators

articulate trucks

articulated truck

articulated trucks

volvo ec750e cost

volvo equipment

ascendum machinery

volvo loader

volvo loaders

dumper truck volvo

front end loader small

heavy equipment volvo

volvo heavy equipment

heavy equipment dealer near me

heavy equipment dealers near me

mini volvo excavator

volvo mini excavators

wheel loaders volvo

volvo wheel loader

wheel loader volvo

volvo wheel loaders

volvo wheeled loaders

volvo equipment dealership

volvo equipment dealer

volvo equipment dealers



# Excavator Service Repair Manual

volvo 750

swecon

asphalt compactors

asphalt compactor

volvo mini excavator

mini excavator volvo

volvo a40g

750 excavator

volvo a 40g

volvo ec 750e

volvo ec750e

volvo vdn

compactors asphalt

samsung excavators

samsung excavator

scat trak

volvo ecr 88

volvo ecr88

ecr88 volvo

volvo equipment dealer near me

volvo equipment dealers near me

volvo equipment dealership near me

volvo construction

volvo constructions

volvo ce

front end loader volvo

volvo backhoes

a60h volvo

# Excavator Service Repair Manual

volvo a60h

volvo excavator 480

excavator volvo 480

480 volvo excavator

volvo 700 excavator

volvo excavator 700

volvo haul truck

volvo shippensburg pa

volvo shippensburg pennsylvania

volvo front end loader

vantage equipment

volvo ec750e price

mini front end loader

volvo 750 excavator price

pipelayer

55c

45c

scat track

volvo l90

rock truck volvo

volvo rock truck

volvo dealer network

volvo articulated dump truck

articulated dump truck volvo

terex trucks

volvo 140 excavator

backhoe volvo

blaw knox

# Excavator Service Repair Manual

volvo 480 excavator

volvo backhoe

ingersoll rand roller

volvo 750 excavator specs

volvo articulated dump trucks

volvo excavator 140

volvo oceanrace

articulating trucks

road pavers

electric excavator

wheel excavators

dump truck volvo

electric excavators

guins

letsdig18

volvo construction equipment parts

champion motor graders

shippensburg volvo

volvo off road truck

volvo oils

volvo construction equipment dealer

volvo off road trucks

savage stone

volvo construction equipment dealers

volvo dozers

volvo l70 h

blaw knox pavers

volvo l70h

# Excavator Service Repair Manual

volvo 220

volvo 750 excavator specifications

volvo dozer

volvo machine

blaw knox paver

volvo a40

volvo machinery

big loaders

construction equipment supplier

scat trak skid steer

volvo ec140el

volvo l90 h

volvo a25g

a40f volvo

volvo a30g

volvo a40d

wheeled mini excavator

volvo a45g

volvo heavy equipment dealers

a30g volvo

champion graders

articulated truck volvo

wheeled mini excavators

champion grader

volvo construction equipment dealer near me

volvo 160

a25g volvo

volvo ecr88 specs

# Excavator Service Repair Manual

volvo heavy equipment dealer

is chris guins married

michigan loader

volvo l90h

volvo l 90h

ec 750 volvo

volvo heavy equipment dealership

volvo 750 excavator weight

volvo articulating truck

articulating truck

construction excavator

volvo dealer locator

volvo coolant

ex factor

excavadoras

construction equipment suppliers

turner mining group

volvo l 70

quarry aggregates

excavator bucket types

volvo l70

volvo roller

volvo 250

volvo 350

volvo equipment parts near me

l90 volvo specs

motor grader volvo

motor graders volvo

# Excavator Service Repair Manual

nearest volvo dealer

ecr 88d volvo

volvo excavator 220

volvo rollers

volvo ecr38

volvo rental equipment

a30d volvo

volvo l90 specs

gold rush excavator

volvo ec750e specs

volvo 290

volvo motor grader

volvo articulated truck

dd 24

vantage wear

roller volvo

volvo 160 excavator

volvo a40g specs

volvo equipment rental

volvo track hoe

volvo a60

volvo pavers

volvo 540

volvo motor graders

volvo 220 excavator

volvo equipment rentals

volvo graders

volvo paver

# Excavator Service Repair Manual

ecr88d volvo

volvo construction equipment usa

volvo l60 h

volvo shippensburg

volvo grader

conexpo las vegas

volvo articulated trucks

graders

mini front end loaders

pacwest machinery

hwy equipment

pipelayers

front end loaders

equipment dealer near me

volvo dump truck

equipment dealerships

romco equipment

equipment dealers near me

doosan mega 300v

doosan mega 300v specs

doosan mega 300-v

doosan mega 300v pdf

doosan dx480lc

doosan dx480lc excavator

экскаватор doosan dx 480 lca

doosan dx480lca

doosan dx480lc for sale

# **Excavator Service Repair Manual**



## **Excavator Service Repair Manual**

**Thank you very much  
for reading.**

**PLEASE CLICK HERE**

**Then back to the site.**

**At the bottom of the**

**page,**

**free add to card.**

**Then get more free**

1. <https://www.heavymachineryequipment.com/downloads/john-deere-jd760a-scraper-workshop-repair-manual/>
2. <https://www.heavymachineryequipment.com/downloads/komatsu-d85c-12-workshop-service-repair-manual-download/>
3. <https://www.heavymachineryequipment.com/downloads/komatsu-pc290lc-6k-pc290nlc-6k-hydraulic-excavator-service-manual/>

# Excavator Service Repair Manual

4. <https://www.heavymachineryequipment.com/downloads/john-deere-jd760-elevating-scraper-service-repair-manual-sm2076/>
5. <https://www.heavymachineryequipment.com/downloads/john-deere-jd760-tractor-service-manual/>
6. <https://www.heavymachineryequipment.com/downloads/john-deere-jd760-tractor-service-repair-manual/>
7. <https://www.heavymachineryequipment.com/john-deere/john-deere-5010-i-tractor-service-repair-manual/>
8. <https://www.heavymachineryequipment.com/forklift/yale-a910-gc040-070vx-glc040-070vx-gc055svx-glc055svx-forklift-service-repair-manual/>
9. <https://www.heavymachineryequipment.com/john-deere/john-deere-50-60-70-series-tractor-service-repair-manual/>
10. <https://www.heavymachineryequipment.com/forklift/nichiyu-fb10p-300p-fb14p-300p-fb15p-300p-forklift-service-repair-manual/>
11. <https://www.heavymachineryequipment.com/downloads/john-deere-2140-tractor-service-manual/>
12. <https://www.heavymachineryequipment.com/downloads/john-deere-5220-5320-5420-5520-tractor-operation-manual/>
13. <https://www.heavymachineryequipment.com/downloads/john-deere-5220-5320-5420-5520-tractor-service-repair-manual/>
14. <https://www.heavymachineryequipment.com/downloads/john-deere-compact-utility-tractor-990-tm-1848-service-manual/>
15. <https://www.heavymachineryequipment.com/downloads/john-deere-5105-5205-tractor-service-repair-manual/>
16. <https://www.heavymachineryequipment.com/downloads/john-deere-4100-compact-utility-tractor-service-repair-manual/>
17. <https://www.heavymachineryequipment.com/downloads/john-deere-gt242-gt262-gt275-lawn-mower-service-repair-manual/>
18. <https://www.heavymachineryequipment.com/downloads/john-deere-2048hv-2254hv-sabre-garden-tractors-operators-manual/>
19. <https://www.heavymachineryequipment.com/downloads/john-deere-sabre-2048hv-2254hv-2554hv-garden-tractors-service-manual/>
20. <https://www.heavymachineryequipment.com/downloads/john-deere-316-318-420-lawn-garden-service-repair-manual/>
21. <https://www.heavymachineryequipment.com/downloads/john-deere-130-160-165-175-180-185-lawn-garden-tractor-service-repair-manual/>
22. <https://www.heavymachineryequipment.com/downloads/john-deere-lt133-lt155-lt166-lawn-garden-tractor-service-manual/>
23. <https://www.heavymachineryequipment.com/downloads/john-deere-5210-5310-5410-5510-tractor-service-repair-manual/>

# Excavator Service Repair Manual

24. <https://www.heavymachineryequipment.com/downloads/john-deere-scotts-s1642-s1742-s2046-s2546-lawn-tractor-repair-manual/>
25. <https://www.heavymachineryequipment.com/downloads/john-deere-7520-tractor-service-repair-manual/>
26. <https://www.heavymachineryequipment.com/downloads/john-deere-8430-8630-tractor-repair-technical-manual/>
27. <https://www.heavymachineryequipment.com/bobcat-parts/bobcat-t250-turbo-operation-maintenance-manual/>
28. <https://www.heavymachineryequipment.com/downloads/john-deere-5200-5300-5400-5500-service-repair-manual/>
29. <https://www.heavymachineryequipment.com/downloads/john-deere-2320-2420-utility-tractor-service-repair-manual/>
30. <https://www.heavymachineryequipment.com/downloads/john-deere-200cs-230cs-300cs-550cs-service-repair-manual/>
31. <https://www.heavymachineryequipment.com/downloads/john-deere-200-sprayer-service-repair-manual/>
32. <https://www.heavymachineryequipment.com/downloads/john-deere-2010-crawler-tractor-repair-service-manual/>
33. <https://www.heavymachineryequipment.com/downloads/john-deere-2000-series-2010-service-manual-for-tractors/>
34. <https://www.heavymachineryequipment.com/downloads/john-deere-200-and-900-cutting-platforms-service-repair-manual/>
35. <https://www.heavymachineryequipment.com/downloads/john-deere-ltr155-ltr166-ltr180-lawn-tractors-technical-manual/>
36. <https://www.heavymachineryequipment.com/downloads/john-deere-200-synchronous-thinner-service-repair-manual/>
37. <https://www.heavymachineryequipment.com/downloads/john-deere-200-208-210-212-214-216-tractors-service-repair-manual/>
38. <https://www.heavymachineryequipment.com/downloads/john-deere-1100-and-1150-outboard-planetary-axles-repair-manual/>
39. <https://www.heavymachineryequipment.com/downloads/john-deere-la130-la140-la150-lawn-tractor-service-repair-manual/>
40. <https://www.heavymachineryequipment.com/downloads/john-deere-300-series-oem-engine-service-repair-manual/>
41. <https://www.heavymachineryequipment.com/downloads/john-deere-4030-tractor-repair-technical-manual/>
42. <https://www.heavymachineryequipment.com/downloads/john-deere-4200-4300-4400-tractor-service-repair-manual/>

# Excavator Service Repair Manual

43. <https://www.heavymachineryequipment.com/downloads/john-deere-450c-crawler-dozer-repair-service-manual/>
44. <https://www.heavymachineryequipment.com/downloads/john-deere-4210-4310-4410-compact-tractor-service-repair-manual/>
45. <https://www.heavymachineryequipment.com/downloads/john-deere-335-375-385-435-and-535-round-balers-service-manual/>
46. <https://www.heavymachineryequipment.com/downloads/john-deere-550-crawler-dozer-service-repair-manual/>
47. <https://www.heavymachineryequipment.com/downloads/john-deere-210c-310c-315c-backhoe-loader-service-repair-manual/>
48. <https://www.heavymachineryequipment.com/downloads/john-deere-310a-and-310b-backhoe-loader-service-repair-manual/>
49. <https://www.heavymachineryequipment.com/downloads/john-deere-amt600-amt622-and-amt626-service-manual/>
50. <https://www.heavymachineryequipment.com/downloads/john-deere-xuv-620i-gator-utility-vehicle-repair-service-manual/>
51. <https://www.heavymachineryequipment.com/downloads/john-deere-4020-row-crop-tractor-repair-technical-manual/>
52. <https://www.heavymachineryequipment.com/downloads/john-deere-240-245-260-265-285-320-lawn-garden-service-repair-manual/>
53. <https://www.heavymachineryequipment.com/downloads/john-deere-rx63-rx73-rx75-sx75-rx95-sx95-riding-mowers-service-repair-manual/>
54. <https://www.heavymachineryequipment.com/downloads/john-deere-670-770-790-870-970-1070-utility-tractor-service-repair-manual/>
55. <https://www.heavymachineryequipment.com/downloads/john-deere-9400-9500-9600-combines-diagnostice-technical-manual/>
56. <https://www.heavymachineryequipment.com/downloads/john-deere-4940-self-propelled-sprayers-diagnostic-service-manual-tm113519/>
57. <https://www.heavymachineryequipment.com/downloads/john-deere-4940-self-propelled-sprayers-diagnostic-service-manual/>
58. <https://www.heavymachineryequipment.com/downloads/john-deere-1166-1169h-1174-1177-1177-service-repair-manual-download/>
59. <https://www.heavymachineryequipment.com/john-deere/john-deere-2054-2056-2058-2064-2066-service-repair-manual/>
60. <https://www.heavymachineryequipment.com/downloads/john-deere-2250-2450-2650-2650n-2850-3050-3350-3650-service-repair-manual/>
61. <https://www.heavymachineryequipment.com/downloads/john-deere-1350-1550-1750-1850-1850n-1950-1950n-service-repair-manual/>

# Excavator Service Repair Manual

62. <https://www.heavymachineryequipment.com/downloads/john-deere-322-330-332-430-lawn-garden-tractor-service-manual/>
63. <https://www.heavymachineryequipment.com/downloads/john-deere-2040-2240-service-repair-manual/>
64. <https://www.heavymachineryequipment.com/downloads/john-deere-sabre-lawn-tractor-service-repair-manual-download/>
65. <https://www.heavymachineryequipment.com/downloads/john-deere-38-inch-46-inch-sabre-lawn-tractor-service-repair-manual/>
66. <https://www.heavymachineryequipment.com/downloads/stihl-e140-e160-e180-service-repair-manual/>
67. <https://www.heavymachineryequipment.com/downloads/john-deere-102-115-125-135-145-155c-190c-lawn-garden-tractor-manual/>
68. <https://www.heavymachineryequipment.com/downloads/john-deere-x495-x595-lawn-garden-tractor-service-repair-manual/>
69. <https://www.heavymachineryequipment.com/downloads/john-deere-x465-x475-x485-x575-x585-tractor-service-repair-manual/>
70. <https://www.heavymachineryequipment.com/downloads/john-deere-lt150-lt160-lt170-lt180-lawn-tractors-service-repair-manual/>
71. <https://www.heavymachineryequipment.com/john-deere/john-deere-gx355-lawn-garden-tractor-service-repair-manual/>
72. <https://www.heavymachineryequipment.com/john-deere/john-deere-gx255-gx325-gx335-gx345-garden-tractors-service-manual/>
73. <https://www.heavymachineryequipment.com/john-deere/john-deere-l1642-l17-542-l2048-l2548-scotts-lawn-tractor-service-repair-manual/>
74. <https://www.heavymachineryequipment.com/downloads/john-deere-14-542gs-1642hs-17-542hs-sabre-lawn-tractor-service-repair-manual/>
75. <https://www.heavymachineryequipment.com/downloads/john-deere-sst15-sst16-sst18-spin-steer-lawn-tractor-service-manual/>
76. <https://www.heavymachineryequipment.com/downloads/john-deere-gt225-gt235-gt235e-gt245-garden-tractor-service-repair-manual/>
77. <https://www.heavymachineryequipment.com/john-deere/john-deere-8320rt-8345rt-8370rt-8rt-rw-tractor-service-repair-manual/>
78. <https://www.heavymachineryequipment.com/downloads/new-holland-t6030-t6050-t6070-t6080-t6090-tractor-service-repair-manual/>
79. <https://www.heavymachineryequipment.com/downloads/john-deere-350b-crawler-tractors-loaders-service-manual/>
80. <https://www.heavymachineryequipment.com/downloads/john-deere-lx277aws-lx279-lx288-lawn-tractors-service-manual/>

# Excavator Service Repair Manual

81. <https://www.heavymachineryequipment.com/downloads/john-deere-lx255-lx266-lx277-lawn-tractors-service-manual/>
82. <https://www.heavymachineryequipment.com/downloads/john-deere-sabre-2048hv-2254hv-2554hv-parts-diagram-service-repair-manual/>
83. <https://www.heavymachineryequipment.com/downloads/john-deere-lt133-lt155-lt166-lawn-tractors-service-repair-manual/>
84. <https://www.heavymachineryequipment.com/downloads/john-deere-322-330-332-430-lawn-garden-tractors-service-repair-manual/>
85. <https://www.heavymachineryequipment.com/downloads/john-deere-316-318-420-lawn-garden-tractors-service-repair-manual/>
86. <https://www.heavymachineryequipment.com/downloads/how-to-take-care-of-your-excavator/>
87. <https://www.heavymachineryequipment.com/downloads/john-deere-gt242-gt262-gt275-service-repair-manual/>
88. <https://www.heavymachineryequipment.com/downloads/john-deere-325-345-lawn-garden-service-repair-manual/>
89. <https://www.heavymachineryequipment.com/downloads/new-holland-t8010-t8020-master-tractor-service-repair-manual/>
90. <https://www.heavymachineryequipment.com/downloads/new-holland-l180-l185-l190-c185-c190-skid-steer-loader-service-repair-manual/>
91. <https://www.heavymachineryequipment.com/downloads/new-holland-tractors-t6010-t6020-t6030-t6040-t6050-t6060-t6070-service-manual/>
92. <https://www.heavymachineryequipment.com/downloads/new-holland-t7-220-t7-235-t7-250-t7-260-t7-270-service-repair-manual/>
93. <https://www.heavymachineryequipment.com/downloads/new-holland-td60d-td70d-td80d-td90d-td95d-tractor-operators-manual/>
94. <https://www.heavymachineryequipment.com/downloads/ford-new-holland-60-series-8160-8260-tractors-service-manual/>
95. <https://www.heavymachineryequipment.com/downloads/ford-new-holland-60-series-8360-8560-tractors-service-manual/>
96. <https://www.heavymachineryequipment.com/downloads/volvo-mc110c-mc115c-mc125c-mc135c-mc155c-mct110c-parts-manual/>
97. <https://www.heavymachineryequipment.com/downloads/volvo-mc60b-skid-steer-loader-service-catalogue-manual/>
98. <https://www.heavymachineryequipment.com/downloads/volvo-mc110b-skid-steer-loader-service-parts-manual/>
99. <https://www.heavymachineryequipment.com/downloads/volvo-ec35-compact-excavator-service-parts-manual/>

# Excavator Service Repair Manual

100. <https://www.heavymachineryequipment.com/downloads/volvo-l90h-wheel-loaders-workshop-service-manual/>
101. <https://www.heavymachineryequipment.com/downloads/volvo-l70h-wheel-loaders-workshop-service-manual/>
102. <https://www.heavymachineryequipment.com/downloads/volvo-l60h-wheel-loaders-workshop-service-manual/>
103. <https://www.heavymachineryequipment.com/downloads/volvo-mc80b-skid-steer-loader-workshop-service-manual/>
104. <https://www.heavymachineryequipment.com/downloads/volvo-mc70b-skid-loader-steer-workshop-service-manual/>
105. <https://www.heavymachineryequipment.com/downloads/volvo-bl61b-backhoe-loader-service-catalogue-manual/>
106. <https://www.heavymachineryequipment.com/downloads/volvo-bl70-backhoe-loader-engine-service-parts-manual/>
107. <https://www.heavymachineryequipment.com/downloads/volvo-bm-646-wheel-loader-service-pdf-manual/>
108. <https://www.heavymachineryequipment.com/downloads/volvo-ec290bnlc-excavator-workshop-service-manual/>
109. <https://www.heavymachineryequipment.com/downloads/volvo-ew140b-wheeled-excavator-service-manual/>
110. <https://www.heavymachineryequipment.com/downloads/volvo-bl70b-backhoe-loader-workshop-service-repair-manual/>
111. <https://www.heavymachineryequipment.com/downloads/volvo-bl60-backhoe-loader-service-repair-manual/>
112. <https://www.heavymachineryequipment.com/downloads/volvo-a35-articulated-hauler-workshop-service-pdf-manual/>
113. <https://www.heavymachineryequipment.com/downloads/volvo-bl61b-backhoe-loader-service-parts-pdf-manual/>
114. <https://www.heavymachineryequipment.com/downloads/john-deere-stx30-stx38-stx46-lawn-tractors-service-repair-manual/>
115. <https://www.heavymachineryequipment.com/downloads/john-deere-lx178-lx186-lx188-lawn-garden-tractors-service-repair-manual/>
116. <https://www.heavymachineryequipment.com/downloads/john-deere-lx172-lx173-lx176-lawn-tractors-service-repair-manual/>
117. <https://www.heavymachineryequipment.com/downloads/volvo-l110e-wheel-loader-service-parts-catalogue-manual/>
118. <https://www.heavymachineryequipment.com/downloads/john-deere-8875-skid-steer-loader-service-repair-manual/>

# Excavator Service Repair Manual

119. <https://www.heavymachineryequipment.com/downloads/doosan-daewoo-solar-55-v-service-repair-manual/>
120. <https://www.heavymachineryequipment.com/downloads/doosan-daewoo-220lc-v-excavator-service-repair-manual/>
121. <https://www.heavymachineryequipment.com/downloads/doosan-daewoo-solar-140w-v-160w-v-excavator-service-manual/>
122. <https://www.heavymachineryequipment.com/downloads/doosan-daewoo-solar-225lc-v-excavator-service-repair-manual/>
123. <https://www.heavymachineryequipment.com/downloads/doosan-da30-5-articulated-dump-truck-service-repair-manual/>
124. <https://www.heavymachineryequipment.com/blog/>
125. <https://www.heavymachineryequipment.com/downloads/volvo-ew200b-wheeled-excavator-service-repair-manual/>
126. <https://www.heavymachineryequipment.com/downloads/john-deere-9650sts-9750sts-diagnosis-service-repair-manual/>
127. <https://www.heavymachineryequipment.com/downloads/john-deere-gx75-and-gx95-riding-mowers-service-technical-manual/>
128. <https://www.heavymachineryequipment.com/downloads/john-deere-z225-z425-z445-eztrak-operator-manual/>
129. <https://www.heavymachineryequipment.com/downloads/john-deere-z225-z425-z445-eztrak-service-repair-manual/>
130. <https://www.heavymachineryequipment.com/downloads/john-deere-32-36-48-52-inch-walk-behind-mowers-technical-manual/>
131. <https://www.heavymachineryequipment.com/downloads/john-deere-trs27-and-trs32-walk-behind-snowblowers-operators-manual/>
132. <https://www.heavymachineryequipment.com/>
133. <https://www.heavymachineryequipment.com/downloads/hyundai-r16-9-mini-excavator-service-manual/>
134. <https://www.heavymachineryequipment.com/downloads/hyundai-r16-7-mini-excavator-service-manual/>
135. <https://www.heavymachineryequipment.com/downloads/hyundai-hl780-7a-service-repair-manual/>
136. <https://www.heavymachineryequipment.com/downloads/hyundai-r110-7-crawler-excavator-repair-manual/>
137. <https://www.heavymachineryequipment.com/downloads/hyundai-hl770-7-wheel-workshop-service-manual/>
138. <https://www.heavymachineryequipment.com/downloads/hyundai-wheel-loader-hl770-service-manual/>



# Excavator Service Repair Manual

139. <https://www.heavymachineryequipment.com/downloads/hyundai-hsl600t-hsl680t-skid-steer-service-repair-manual/>
140. <https://www.heavymachineryequipment.com/downloads/hyundai-brp-series-forklift-truck-service-manual/>
141. <https://www.heavymachineryequipment.com/downloads/hyundai-hl740-tm-7-loader-service-repair-manual/>
142. <https://www.heavymachineryequipment.com/downloads/komatsu-pc150-6k-pc150lc-6k-service-and-operator-manual/>
143. <https://www.heavymachineryequipment.com/downloads/komatsu-pc150-5-crawler-excavator-parts-manual-sn-6001-and-up/>
144. <https://www.heavymachineryequipment.com/downloads/hyundai-l4gc-engine-workshop-service-manual/>
145. <https://www.heavymachineryequipment.com/downloads/hyundai-hl760-wheel-loader-repair-manual/>
146. <https://www.heavymachineryequipment.com/downloads/hyundai-hlf15c-3-hlf18c-3-forklift-service-repair-manual/>
147. <https://www.heavymachineryequipment.com/downloads/hyundai-r360lc-3-crawler-excavator-service-repair-manual/>
148. <https://www.heavymachineryequipment.com/downloads/hyundai-hl750-3-wheel-loader-service-repair-manual/>
149. <https://www.heavymachineryequipment.com/downloads/hyundai-r80-7-crawler-excavator-service-repair-manual/>
150. <https://www.heavymachineryequipment.com/downloads/hyundai-hsl650-7a-skid-steer-loader-service-repair-manual/>
151. <https://www.heavymachineryequipment.com/downloads/hyundai-brj-series-forklift-truck-service-repair-manual/>
152. <https://www.heavymachineryequipment.com/downloads/hyundai-r210lc-7-crawler-excavator-service-repair-manual/>
153. <https://www.heavymachineryequipment.com/downloads/hyundai-r290lc-7a-crawler-excavator-service-repair-manual/>
154. <https://www.heavymachineryequipment.com/downloads/hyundai-r180lc-7a-crawler-excavator-service-repair-manual/>
155. <https://www.heavymachineryequipment.com/downloads/hyundai-25lc-30lc-33l-7m-forklift-truck-service-repair-manual/>
156. <https://www.heavymachineryequipment.com/downloads/hyundai-r250lc-3-crawler-repair-excavator-service-manual/>
157. <https://www.heavymachineryequipment.com/downloads/hyundai-r250lc-3-crawler-excavator-service-repair-manual/>

# Excavator Service Repair Manual

158. <https://www.heavymachineryequipment.com/downloads/hyundai-crawler-excavator-r160lc-7-operating-manual/>
159. <https://www.heavymachineryequipment.com/downloads/hyundai-crawler-excavator-r160lc-7-service-repair-manual/>
160. <https://www.heavymachineryequipment.com/downloads/hyundai-22bha-7-25bha-7-30bha-7-forklift-truck-service-repair-manual/>
161. <https://www.heavymachineryequipment.com/downloads/hyundai-hsl800t-skid-steer-loader-service-repair-manual/>
162. <https://www.heavymachineryequipment.com/downloads/hyundai-r180lc-3-crawler-excavator-service-repair-manual/>
163. <https://www.heavymachineryequipment.com/downloads/hyundai-20-7-25-7-30-7-32bc-7-forklift-truck-service-repair-manual/>
164. <https://www.heavymachineryequipment.com/downloads/hyundai-r35z-7a-mini-excavator-service-repair-manual/>
165. <https://www.heavymachineryequipment.com/downloads/hyundai-hdf35-3-hdf45-3-forklift-truck-service-repair-manual/>
166. <https://www.heavymachineryequipment.com/downloads/hyundai-sl765s-wheel-loader-operators-manual/>
167. <https://www.heavymachineryequipment.com/downloads/hyundai-hsl1500t-skid-steer-loader-operators-manual/>
168. <https://www.heavymachineryequipment.com/downloads/hyundai-sl765s-wheel-loader-service-repair-manual/>
169. <https://www.heavymachineryequipment.com/downloads/hyundai-hsl1200t-skid-steer-loader-operators-manual/>
170. <https://www.heavymachineryequipment.com/downloads/hyundai-hsl600t-hsl680t-skid-steer-loader-operator-manual/>
171. <https://www.heavymachineryequipment.com/downloads/hyundai-skid-steer-loader-hsl800t-thomas-owners-manual/>
172. <https://www.heavymachineryequipment.com/downloads/hyundai-skid-steer-loader-hsl800t-thomas-service-and-operator-manual/>
173. <https://www.heavymachineryequipment.com/downloads/hyundai-hsl400t-skid-steer-loader-operators-manual/>
174. <https://www.heavymachineryequipment.com/downloads/hyundai-sl763s-wheel-loader-operators-manual/>
175. <https://www.heavymachineryequipment.com/downloads/hyundai-hl975-hl975xt-wheel-loader-operator-manual/>
176. <https://www.heavymachineryequipment.com/downloads/hyundai-hsl500t-skid-steer-loader-service-repair-manual/>

# Excavator Service Repair Manual

177. <https://www.heavymachineryequipment.com/downloads/hyundai-hdf20-5-hdf25-5-hdf30-5-forklift-workshop-service-repair-manual/>
178. <https://www.heavymachineryequipment.com/downloads/hyundai-hlf15-5-hlf15c-5-hlf18-5-hlf18c-5-forklift-service-repair-manual/>
179. <https://www.heavymachineryequipment.com/downloads/hyundai-hlf20-5-hlf25-5-hlf30-5-hlf20c-5-hlf25c-5-hlf30c-5-forklift-truck-workshop-service-manual/>
180. <https://www.heavymachineryequipment.com/downloads/hyundai-hl750tm-3-wheel-loader-workshop-service-repair-manual/>
181. <https://www.heavymachineryequipment.com/downloads/hyundai-hsl810-skid-steer-loader-service-repair-manual/>
182. <https://www.heavymachineryequipment.com/downloads/hyundai-20lc-25lc-30lc-7-20gc-25gc-30gc-7-forklift-truck-workshop-repair-manual/>
183. <https://www.heavymachineryequipment.com/downloads/hyundai-hsl650-7-skid-steer-loader-workshop-service-manual/>
184. <https://www.heavymachineryequipment.com/downloads/hyundai-hsl850-7-skid-steer-loader-workshop-service-manual/>
185. <https://www.heavymachineryequipment.com/downloads/hyundai-20df-7t-25df-7t-30df-7t-33df-7t-forklift-truck-service-workshop-manual/>
186. <https://www.heavymachineryequipment.com/downloads/hyundai-hl760-1001-1301-wheel-loader-repair-service-manual/>
187. <https://www.heavymachineryequipment.com/downloads/hyundai-bop-7-series-forklift-truck-repair-service-manual/>
188. <https://www.heavymachineryequipment.com/downloads/case-1080-1080b-excavator-service-repair-manual/>
189. <https://www.heavymachineryequipment.com/downloads/bobcat-t250-turbo-track-loader-service-manual-525711001/>
190. <https://www.heavymachineryequipment.com/downloads/bobcat-t250-turbo-compact-track-loader-service-repair-manual/>
191. <https://www.heavymachineryequipment.com/downloads/bobcat-t250-turbo-compact-track-loader-parts-catalog-manual/>
192. <https://www.heavymachineryequipment.com/new-holland/ford-new-holland-60-series-8360-8560-tractors-service-manual/>
193. <https://www.heavymachineryequipment.com/new-holland-service/ford-new-holland-60-series-8160-8260-tractors-service-manual/>
194. <https://www.heavymachineryequipment.com/downloads/deutz-fahr-hydraulic-inversor-110-130-hp-service-repair-manual/>
195. <https://www.heavymachineryequipment.com/downloads/deutz-fahr-agrotron-k90-k100-k110-k120-tractor-workshop-service-manual/>

# Excavator Service Repair Manual

196. <https://www.heavymachineryequipment.com/downloads/deutz-fahr-210-265-front-axle-agrotron-tractor-service-manual/>
197. <https://www.heavymachineryequipment.com/downloads/deutz-fahr-150-157-7-165-7-front-axle-agrotron-tractor-service-manual/>
198. <https://www.heavymachineryequipment.com/downloads/deutz-fahr-26-6-30-7-front-rear-axle-agrovector-tractor-service-manual/>
199. <https://www.heavymachineryequipment.com/jhon-deere/john-deere-5050e-5055e-5065e-5075e-tractor-service-manual/>
200. <https://www.heavymachineryequipment.com/komatsu/komatsu-pc300lc-6-pc300hd-6-excavator-operation-manual/>
201. <https://www.heavymachineryequipment.com/komatsu/komatsu-pc300lc-6-crawler-hydraulic-service-repair-manual/>
202. <https://www.heavymachineryequipment.com/jhon-deere/john-deere-6081-base-8-1l-diesel-engine-service-repair-manual/>
203. <https://www.heavymachineryequipment.com/jhon-deere/john-deere-gator-hpx-4x2-4x4-utility-workshop-service-manual/>
204. <https://www.heavymachineryequipment.com/jhon-deere/john-deere-x465-x475-x485-x575-x585-service-manual/>
205. <https://www.heavymachineryequipment.com/jhon-deere/john-deere-x700-x720-x724-x728-service-repair-manual/>
206. <https://www.heavymachineryequipment.com/jhon-deere/john-deere-6030-tractor-technical-service-manual/>
207. <https://www.heavymachineryequipment.com/downloads/john-deere-655-755-756-855-856-955-tractor-workshop-repair-manual/>
208. <https://www.heavymachineryequipment.com/downloads/john-deere-f510-f525-service-repair-manual/>
209. <https://www.heavymachineryequipment.com/downloads/john-deere-6020-6120-6220-service-repair-manual/>
210. <https://www.heavymachineryequipment.com/downloads/john-deere-l100-l108-l110-service-repair-manual/>
211. <https://www.heavymachineryequipment.com/downloads/john-deere-425-445-455-lawn-garden-service-repair-manual/>
212. <https://www.heavymachineryequipment.com/downloads/john-deere-x324-x340-x360-service-repair-manual/>
213. <https://www.heavymachineryequipment.com/downloads/john-deere-x300-x304-x320-service-repair-manual/>
214. <https://www.heavymachineryequipment.com/downloads/john-deere-3215-3215a-3215b-fairway-mower-service-manual/>

# Excavator Service Repair Manual

215. <https://www.heavymachineryequipment.com/downloads/komatsu-pc160lc-7-crawler-tier3-excavator-service-repair-manual/>
216. <https://www.heavymachineryequipment.com/downloads/komatsu-pc150-5-crawler-excavator-service-repair-manual/>
217. <https://www.heavymachineryequipment.com/downloads/komatsu-pc200z-6-hydraulic-excavator-service-manual/>
218. <https://www.heavymachineryequipment.com/downloads/komatsu-pc290lc-6k-operator-service-manual/>
219. <https://www.heavymachineryequipment.com/downloads/komatsu-pc290lc-6k-hydraulic-excavator-service-manual/>
220. <https://www.heavymachineryequipment.com/downloads/komatsu-pw130es-6k-wheeled-excavator-service-repair-manual/>
221. <https://www.heavymachineryequipment.com/downloads/komatsu-pw160-7h-wheeled-excavator-service-repair-manual/>
222. <https://www.heavymachineryequipment.com/downloads/bobcat-t180-track-loader-workshop-manual/>
223. <https://www.heavymachineryequipment.com/downloads/bobcat-t180-turbo-track-loader-parts-manual/>
224. <https://www.heavymachineryequipment.com/downloads/bobcat-t770-2011-service-repair-manual-sn-a3p911001/>
225. <https://www.heavymachineryequipment.com/downloads/bobcat-t770-2011-service-repair-manual/>
226. <https://www.heavymachineryequipment.com/downloads/john-deere-6610-6810-6910-service-repair-manual/>
227. <https://www.heavymachineryequipment.com/downloads/bomag-bw-100-adbw-100-acbw-120-adbw-120-ac-drum-roller-workshop-manual/>
228. <https://www.heavymachineryequipment.com/downloads/hyundai-hl760-7-wheel-loader-service-manual/>
229. <https://www.heavymachineryequipment.com/downloads/john-deere-710b-backhoe-loader-service-repair-manual/>
230. <https://www.heavymachineryequipment.com/downloads/hyundai-r480lc-9mh-crawler-excavator-service-repair-manual/>
231. <https://www.heavymachineryequipment.com/downloads/john-deere-d100-d110-d120-d130-d140-d150-d160-d170-manual/>
232. <https://www.heavymachineryequipment.com/downloads/volvo-bm-l90c-wheel-loader-service-parts-manual/>
233. <https://www.heavymachineryequipment.com/downloads/volvo-bm-l90c-wheel-loader-service-repair-manual/>

# Excavator Service Repair Manual

234. <https://www.heavymachineryequipment.com/downloads/volvo-bm-l90-parts-equipment-manual/>
235. <https://www.heavymachineryequipment.com/downloads/volvo-bm-l90b-machinery-service-manual/>
236. <https://www.heavymachineryequipment.com/downloads/volvo-bm-l90-wheel-loader-repair-manual/>
237. <https://www.heavymachineryequipment.com/downloads/volvo-l50d-wheel-loader-service-manual/>
238. <https://www.heavymachineryequipment.com/downloads/volvo-l70d-wheel-loader-repair-manual/>
239. <https://www.heavymachineryequipment.com/downloads/volvo-g720b-motor-grader-workshop-repair-manual/>
240. <https://www.heavymachineryequipment.com/downloads/new-holland-lm1340-lm1440-lm1740-telehandler-service-manual/>
241. <https://www.heavymachineryequipment.com/downloads/volvo-bl70-backhoe-loaders-service-manual/>
242. <https://www.heavymachineryequipment.com/downloads/doosan-daewoo-130lc-excavator-v-electrical-manual/>
243. <https://www.heavymachineryequipment.com/downloads/doosan-daewoo-solar-130lc-v-service-manual/>
244. <https://www.heavymachineryequipment.com/downloads/john-deere-2020-2120-tractor-service-manual/>
245. <https://www.heavymachineryequipment.com/volvo-equipment/backhoe-loader-repair-manuals/volvo-bl61b-backhoe-loader-service-parts-pdf-manual/>
246. <https://www.heavymachineryequipment.com/volvo-equipment/articulated-hauler-service-manuals/volvo-a35-articulated-hauler-workshop-service-pdf-manual/>
247. <https://www.heavymachineryequipment.com/volvo-equipment/backhoe-loader-repair-manuals/volvo-bl60-backhoe-loader-service-repair-manual/>
248. <https://www.heavymachineryequipment.com/hitachi-machinery/hitachi-zaxis-330-3-350-3-class-hydraulic-excavator-service-manual/>
249. <https://www.heavymachineryequipment.com/hitachi-machinery/hitachi-zaxis-330-3-330lc-3-350h-3-350lch-3-workshop-service-manual/>
250. <https://www.heavymachineryequipment.com/hitachi-machinery/hitachi-zaxis-zx-110-3-110m-3-130k-3-excavator-service-manual/>
251. <https://www.heavymachineryequipment.com/hitachi-machinery/hitachi-zaxis-zx-130l-3-135us-3-135usk-3-135usl-3-excavators-service-manual/>
252. <https://www.heavymachineryequipment.com/hitachi-machinery/hitachi-zaxis-zx-60usb-3-60usb-3f-excavator-service-repair-manual/>
253. <https://www.heavymachineryequipment.com/hitachi-machinery/hitachi-zaxis-zx-35u-3-50u-3-60usb-3-hydraulic-service-repair-manual/>

# Excavator Service Repair Manual

254. <https://www.heavymachineryequipment.com/hitachi-machinery/hitachi-zaxis-zx-27u-3-30u-3-35u-3-excavator-service-manual/>
255. <https://www.heavymachineryequipment.com/hitachi-machinery/excavator-service-manuals/hitachi-zaxis-450-3-450lc-3-470h-3-excavator-repair-manual/>
256. <https://www.heavymachineryequipment.com/volvo-equipment/backhoe-loader-repair-manuals/volvo-bl70b-backhoe-loader-workshop-service-manual/>
257. <https://www.heavymachineryequipment.com/hitachi-machinery/excavator-service-manuals/hitachi-zaxis-200-3-hydraulic-excavator-service-repair-manual/>
258. <https://www.heavymachineryequipment.com/hitachi-machinery/hitachi-zaxis-zx50u-2-excavator-parts-catalog-pdf-manual/>
259. <https://www.heavymachineryequipment.com/hitachi-machinery/hitachi-zaxis-60usb-3-hydraulic-excavator-factory-manuals/>
260. <https://www.heavymachineryequipment.com/hitachi-machinery/hitachi-zaxis-450-450lc-450h-450lch-excavator-operator-manual-pdf/>
261. <https://www.heavymachineryequipment.com/hitachi-machinery/hitachi-zaxis-230-230lc-240h-240lch-270-270lc-excavator-operator-ebook/>
262. <https://www.heavymachineryequipment.com/hitachi-machinery/hitachi-zaxis-60usb-3-hydraulic-excavator-operator-manual/>
263. <https://www.heavymachineryequipment.com/hitachi-machinery/hitachi-zaxis-450-3-470h-3-450lc-3-470lch-3-500lc-3-520lch-3-excavator-operator-ebook/>
264. <https://www.heavymachineryequipment.com/hitachi-machinery/hitachi-zaxis-30-35-40-45-excavator-workshop-service-manual/>
265. <https://www.heavymachineryequipment.com/hitachi-machinery/hitachi-zaxis-zx120-180-200-225-270-330-operators-ebook/>
266. <https://www.heavymachineryequipment.com/hitachi-machinery/hitachi-zaxis-zx-17u-2-excavator-service-repair-pdf-manual/>
267. <https://www.heavymachineryequipment.com/hitachi-machinery/hitachi-zaxis-120-180-200-225-270-330-excavator-operator-manual/>
268. <https://www.heavymachineryequipment.com/hitachi-machinery/hitachi-zaxis-180w-210-w-wheeled-excavator-operator-manual/>
269. <https://www.heavymachineryequipment.com/hitachi-machinery/excavator-service-manuals/hitachi-zaxis-130-5n-160lc-5n-180lc-5n-excavator-operator-manual/>
270. <https://www.heavymachineryequipment.com/hitachi-machinery/hitachi-zaxis-135us-5n-245-uslc-5n-hydraulic-excavator-operator-manual/>
271. <https://www.heavymachineryequipment.com/hitachi-machinery/hitachi-zaxis-zx-130w-wheeled-excavator-service-pdf-manual/>
272. <https://www.heavymachineryequipment.com/hitachi-machinery/hitachi-zaxis-190w-3-220w-3-wheeled-excavator-operator-manual/>

# Excavator Service Repair Manual

273. <https://www.heavymachineryequipment.com/hitachi-machinery/hitachi-zaxis-250h-3-hydraulic-workshop-excavator-service-manual/>
274. <https://www.heavymachineryequipment.com/volvo-equipment/backhoe-loader-repair-manuals/volvo-bl61-plus-backhoe-loader-service-repair-manual/>
275. <https://www.heavymachineryequipment.com/hitachi-machinery/hitachi-zaxis-27u-3-27u-3f-30u-3-hydraulic-excavator-operator-manual/>
276. <https://www.heavymachineryequipment.com/hitachi-machinery/hitachi-zaxis-zx-870lc-5g/>
277. <https://www.heavymachineryequipment.com/volvo-equipment/backhoe-loader-repair-manuals/volvo-bl70-backhoe-loader-workshop-service-repair-manual/>
278. <https://www.heavymachineryequipment.com/volvo-equipment/backhoe-loader-repair-manuals/volvo-bl71-plus-backhoe-loader-workshop-service-repair-manual/>
279. <https://www.heavymachineryequipment.com/hitachi-machinery/excavator-service-manuals/hitachi-zaxis-450-450h-450lc-450lch-460lch-excavator-workshop-manual/>
280. <https://www.heavymachineryequipment.com/hitachi-machinery/excavator-service-manuals/hitachi-zaxis-zx27u-2-excavator-parts-catalog-pdf-manual/>
281. <https://www.heavymachineryequipment.com/hitachi-machinery/hitachi-zaxis-zx75us-5a-75usb-5a-operators-manual/>
282. <https://www.heavymachineryequipment.com/hitachi-machinery/hitachi-zaxis-zx160lc-3-excavator-parts-catalog-pdf-manual/>
283. <https://www.heavymachineryequipment.com/hitachi-machinery/hitachi-zaxis-zx-470lc-5g-excavator-workshop-service-manual/>
284. <https://www.heavymachineryequipment.com/hitachi-machinery/hitachi-zaxis-zx-160lc-3-180lc-3-180lcn-3-excavator-service-manual/>
285. <https://www.heavymachineryequipment.com/hitachi-machinery/hitachi-zaxis-zx-135us-3-135usk-3-135usl-3-excavator-factory-service-manual/>
286. <https://www.heavymachineryequipment.com/hitachi-machinery/hitachi-zaxis-zx-170w-3-190w-3-excavator-workshop-service-manual/>
287. <https://www.heavymachineryequipment.com/hitachi-machinery/hitachi-zx-330-350-370-zaxis-workshop-service-manual/>
288. <https://www.heavymachineryequipment.com/hitachi-machinery/hitachi-zaxis-330-330lc-350h-350lch-350lc-350lcn-370mth-excavator-service-manual/>
289. <https://www.heavymachineryequipment.com/hitachi-machinery/hitachi-zaxis-zx330-3-zx330lc-3-zx350lc-3-zx350lcn-3-parts-catalog-manual/>
290. <https://www.heavymachineryequipment.com/hitachi-machinery/excavator-service-manuals/hitachi-zaxis-zx-110-110m-120-130-130lcn-125us-135us-135ur-service-manual/>
291. <https://www.heavymachineryequipment.com/hitachi-machinery/hitachi-zaxis-240n-3-hydraulic-excavator-service-manual/>



# Excavator Service Repair Manual

292. <https://www.heavymachineryequipment.com/hitachi-machinery/hitachi-zaxis-270-3-hydraulic-excavator-service-manual/>
293. <https://www.heavymachineryequipment.com/hitachi-machinery/case-1150k-series-3-dozer-bulldozer-service-manual/>
294. <https://www.heavymachineryequipment.com/volvo-equipment/wheel-loader-service-manual/volvo-ew140b-wheeled-excavator-service-manual/>
295. <https://www.heavymachineryequipment.com/volvo-equipment/volvo-ec290bnlc-excavator-workshop-service-manual/>
296. <https://www.heavymachineryequipment.com/hitachi-machinery/hyundai-h930c-h940c-backhoe-loader-repair-pdf-manual/>
297. <https://www.heavymachineryequipment.com/volvo-equipment/wheel-loader-service-manual/volvo-bm-646-wheel-loader-service-pdf-manual/>
298. <https://www.heavymachineryequipment.com/hitachi-machinery/hitachi-zaxis-zx25-excavator-parts-catalog-pdf-manual/>
299. <https://www.heavymachineryequipment.com/hitachi-machinery/excavator-service-manuals/hitachi-zaxis-zx135us-zx135us-e-zx135usk-excavator-parts-manual/>
300. <https://www.heavymachineryequipment.com/hitachi-machinery/excavator-service-manuals/hitachi-zaxis-zx-85usblc-3-excavator-service-manual/>
301. <https://www.heavymachineryequipment.com/case-products/excavator-case-cx-330-cx350-tier-3-service-repair-manual/>
302. <https://www.heavymachineryequipment.com/case-products/case-580e-super-580-e-repair-manual/>
303. <https://www.heavymachineryequipment.com/hitachi-machinery/hitachi-ex27u-ex29ue-mini-excavator-parts-manual/>
304. <https://www.heavymachineryequipment.com/volvo-equipment/backhoe-loader-repair-manuals/volvo-bl70-backhoe-loader-service-parts-catalogue-manual/>
305. <https://www.heavymachineryequipment.com/terex-machinery/dump-trucks-repair-manuals/terex-ta30-articulated-dump-truck-maintenance-manual/>
306. <https://www.heavymachineryequipment.com/case-products/case-ih-puma-115-125-140-155-tractor-service-repair-manual/>
307. <https://www.heavymachineryequipment.com/case-products/case-cx330-cx350-tier-3-cat-excavator-workshop-manual/>
308. <https://www.heavymachineryequipment.com/volvo-equipment/backhoe-loader-repair-manuals/volvo-bl60-backhoe-loader-service-parts-list-manual/>
309. <https://www.heavymachineryequipment.com/volvo-equipment/backhoe-loader-repair-manuals/volvo-bl61b-backhoe-loader-service-catalogue-manual/>
310. <https://www.heavymachineryequipment.com/volvo-equipment/backhoe-loader-repair-manuals/volvo-bl71-plus-backhoe-loader-service-parts-manual/>

# Excavator Service Repair Manual

311. <https://www.heavymachineryequipment.com/volvo-equipment/skid-steer-loader/volvo-mc60b-skid-steer-loader-workshop-service-manual/>
312. <https://www.heavymachineryequipment.com/volvo-equipment/skid-steer-loader/volvo-mc70b-skid-loader-steer-workshop-service-manual/>
313. <https://www.heavymachineryequipment.com/volvo-equipment/skid-steer-loader/volvo-mc80-mc90-mc110-skid-steer-loader-service-manual/>
314. <https://www.heavymachineryequipment.com/volvo-equipment/skid-steer-loader/volvo-mc80b-skid-steer-loader-workshop-service-manual/>
315. <https://www.heavymachineryequipment.com/volvo-equipment/skid-steer-loader/volvo-mc110c-mc115c-mc125c-mc135c-mc155c-mct110c-parts-manual/>
316. <https://www.heavymachineryequipment.com/volvo-equipment/skid-steer-loader/volvo-mc60-mc70-skid-steer-loader-workshop-service-manual/>
317. <https://www.heavymachineryequipment.com/volvo-equipment/skid-steer-loader/volvo-mc60b-skid-steer-loader-service-catalogue-manual/>
318. <https://www.heavymachineryequipment.com/volvo-equipment/skid-steer-loader/volvo-mc110b-skid-steer-loader-service-parts-manual/>
319. <https://www.heavymachineryequipment.com/volvo-equipment/volvo-ec35-compact-excavator-service-parts-pdf-manual/>
320. <https://www.heavymachineryequipment.com/case-products/case-680e-ck-backhoe-loader-parts-manual/>
321. <https://www.heavymachineryequipment.com/case-products/tractor-equipment/case-ih-international-5120-5130-5140-tractor-service-manual/>
322. <https://www.heavymachineryequipment.com/case-products/case-ih-steiger-370-420-470-500-540-580-620-service-manual/>
323. <https://www.heavymachineryequipment.com/case-products/tractor-equipment/case-ih-rowtrac-370-420-470-500-steiger-operators-manual/>
324. <https://www.heavymachineryequipment.com/catequipment/cub-cadet-series-1000-lt1018-lt1022-hydrostatic-lawn-tractor-service-manual/>
325. <https://www.heavymachineryequipment.com/new-holland-service/new-holland-td60d-td70d-td80d-td90d-td95d-tractor-operators-manual/>
326. <https://www.heavymachineryequipment.com/case-products/tractor-equipment/case-784-ih-tractor-workshop-service-manual-best/>
327. <https://www.heavymachineryequipment.com/hitachi-machinery/excavator-service-manuals/hitachi-zaxis-230-230lc-240h-240lch-270-270lc-excavator-service-manual/>
328. <https://www.heavymachineryequipment.com/case-products/tractor-equipment/case-570-nxt-tier-4-pdf-tractor-loader-operator/>
329. <https://www.heavymachineryequipment.com/new-holland/new-holland-t7-220-t7-235-t7-250-t7-260-t7-270-service-repair-manual/>

# Excavator Service Repair Manual

330. <https://www.heavymachineryequipment.com/bobcat-parts/bobcat-751-skid-steer-loader-service-repair-manual/>
331. <https://www.heavymachineryequipment.com/bobcat-parts/bobcat-324-compact-excavator-solution-service-guidebook/>
332. <https://www.heavymachineryequipment.com/new-holland-service/new-holland-tractors-t6010-t6020-t6030-t6040-t6050-t6060-t6070-service-manual/>
333. <https://www.heavymachineryequipment.com/new-holland-service/new-holland-l180-l185-l190-c185-c190-skid-steer-loader-service-repair-manual/>
334. <https://www.heavymachineryequipment.com/hitachi-machinery/hitachi-ex12-ex15-ex22-ex25-ex30-ex35-ex40-ex45-excavator-service-repair-manual/>
335. <https://www.heavymachineryequipment.com/new-holland-service/new-holland-t8010-t8020-master-tractor-service-repair-manual/>
336. <https://www.heavymachineryequipment.com/new-holland-service/new-holland-l225-service-repair-manual/>
337. <https://www.heavymachineryequipment.com/new-holland-service/new-holland-kobelco-e215b-e245b-crawler-excavator-service-repair-manual/>
338. <https://www.heavymachineryequipment.com/bobcat-parts/bobcat-x-337-341-excavator-service-repair-manual/>
339. <https://www.heavymachineryequipment.com/case-products/case-350b-350b-ii-loader-operators-manual/>
340. <https://www.heavymachineryequipment.com/new-holland-service/ford-new-holland-5640-6640-7740-service-repair-manual/>
341. <https://www.heavymachineryequipment.com/case-products/tractor-equipment/case-350b-industrial-tractor-operators-manual/>
342. <https://www.heavymachineryequipment.com/bobcat-parts/bobcat-742b-743b-skid-steer-loader-service-repair-manual/>
343. <https://www.heavymachineryequipment.com/new-holland-service/new-holland-8160-8260-8360-8560-tractor-supply-service-manual/>
344. <https://www.heavymachineryequipment.com/case-products/case-350b-crawler-tractor-operators-owner-instruction-manual/>
345. <https://www.heavymachineryequipment.com/downloads/bobcat-553-skid-steer-loader-service-repair-manual/>
346. <https://www.heavymachineryequipment.com/downloads/bobcat-130-hydraulic-excavator-service-repair-workshop-manual/>
347. <https://www.heavymachineryequipment.com/downloads/bobcat-x-116-hydraulic-excavator-service-repair-workshop-manual/>
348. <https://www.heavymachineryequipment.com/downloads/bobcat-x100-excavator-service-repair-workshop-manual/>

# Excavator Service Repair Manual

349. <https://www.heavymachineryequipment.com/downloads/bobcat-730-731-732-skid-steer-loader-service-repair-manual/>
350. <https://www.heavymachineryequipment.com/downloads/gehl-sl4635-sl4835-skid-loaders-service-repair-manual/>
351. <https://www.heavymachineryequipment.com/downloads/gehl-sl7610-sl7710-sl7810-skid-steer-loaders-service-repair-manual/>
352. <https://www.heavymachineryequipment.com/downloads/gehl-r190-r220-r260-service-repair-manual/>
353. <https://www.heavymachineryequipment.com/downloads/gehl-4640-5240e-power2-mustang-2056-series-ii-skid-steer-loaders-service-manual/>
354. <https://www.heavymachineryequipment.com/downloads/kobelco-sk09sr-excavator-service-workshop-manual/>
355. <https://www.heavymachineryequipment.com/downloads/gehl-sl4640e-sl5240e-skid-steer-loader-parts-manual/>
356. <https://www.heavymachineryequipment.com/downloads/allison-transmission-3500-sp-service-repair-manual/>
357. <https://www.heavymachineryequipment.com/downloads/allison-transmission-1000-mh-service-manual/>
358. <https://www.heavymachineryequipment.com/downloads/allison-transmission-md-3066-service-repair-manual/>
359. <https://www.heavymachineryequipment.com/downloads/allison-transmission-ht-740-service-repair-manual/>
360. <https://www.heavymachineryequipment.com/downloads/bomag-bw-177-bw-213-service-repair-manual/>
361. <https://www.heavymachineryequipment.com/downloads/sany-sy195-sy205-sy215-sy225-service-manual/>
362. <https://www.heavymachineryequipment.com/downloads/volvo-bm-4400-wheel-loader-service-repair-manual/>
363. <https://www.heavymachineryequipment.com/downloads/volvo-mc70c-skid-steer-loader-service-manual/>
364. <https://www.heavymachineryequipment.com/downloads/volvo-mt2000-tracked-milling-equipment-service/>
365. <https://www.heavymachineryequipment.com/downloads/volvo-ew200-akerman-excavator-repair-manual/>
366. <https://www.heavymachineryequipment.com/downloads/jcb-160-170-170hf-180-robot-service-manual/>
367. <https://www.heavymachineryequipment.com/downloads/jcb-js330-js450-excavator-repair-manual/>

# Excavator Service Repair Manual

368. <https://www.heavymachineryequipment.com/downloads/jcb-530-70-533-105-535-60-service-repair-manual/>
369. <https://www.heavymachineryequipment.com/downloads/kubota-m9000-m900dt-m-service-repair-manual/>
370. <https://www.heavymachineryequipment.com/downloads/cool-jcb-190-1110-robot-service-repair-pdf-manual/>
371. <https://www.heavymachineryequipment.com/downloads/cool-jcb-505-19-505-22-506-36-service-repair-manual/>
372. <https://www.heavymachineryequipment.com/downloads/jcb-515-40-telescopic-handler-service-manual/>
373. <https://www.heavymachineryequipment.com/downloads/joy-jcb-520-40-524-50-527-55-service-manual/>
374. <https://www.heavymachineryequipment.com/downloads/hitachi-zaxis-70-80-excavator-parts-manual/>
375. <https://www.heavymachineryequipment.com/downloads/kubota-l4100hst-tractor-workshop-manual/>
376. <https://www.heavymachineryequipment.com/downloads/kubota-m9000-m900dt-m-service-manual/>
377. <https://www.heavymachineryequipment.com/downloads/john-deere-js26-js28-js36-service-repair-manual/>
378. <https://www.heavymachineryequipment.com/downloads/volvo-bl61-backhoe-service-manual/>
379. <https://www.heavymachineryequipment.com/downloads/volvo-l180c-co-l180cco-wheel-loader-service-manual/>
380. <https://www.heavymachineryequipment.com/downloads/volvo-l180c-hl-l180chl-wheel-loader-service-manual/>
381. <https://www.heavymachineryequipment.com/downloads/volvo-ec13-xtv-ec13xtv-excavator-service-repair-manual/>
382. <https://www.heavymachineryequipment.com/downloads/volvo-mc60-mc70-skid-steer-loader-service-repair-manual/>
383. <https://www.heavymachineryequipment.com/downloads/volvo-mc80-mc90-mc110-skid-steer-loader-service-repair-manual/>
384. <https://www.heavymachineryequipment.com/downloads/volvo-a30c-articulated-dump-truck-service-repair-manual/>
385. <https://www.heavymachineryequipment.com/downloads/volvo-l90cor-l90c-wheel-loader-service-repair-manual/>
386. <https://www.heavymachineryequipment.com/downloads/volvo-ec25-compact-excavator/>
387. <https://www.heavymachineryequipment.com/downloads/volvo-l330c-wheel-loader-service-repair-manual/>

# Excavator Service Repair Manual

388. <https://www.heavymachineryequipment.com/downloads/case-loader-backhoe-580m-580sm-590sm/>
389. <https://www.heavymachineryequipment.com/downloads/kubota-m6800s-tractor-service-repair-manual/>
390. <https://www.heavymachineryequipment.com/downloads/kubota-bx1860-bx2360-bx2660-repair-manual-download/>
391. <https://www.heavymachineryequipment.com/downloads/kubota-bx1850-tractor-rck48-18bx-rotary-mower-service-manual/>
392. <https://www.heavymachineryequipment.com/downloads/kubota-rck48-18bx-tractor-service-repair-manual/>
393. <https://www.heavymachineryequipment.com/downloads/case-wx148-wheeled-excavator-service-repair-workshop-manual/>
394. <https://www.heavymachineryequipment.com/privacy-policy/>
395. <https://www.heavymachineryequipment.com/downloads/case-alpha-series-skid-steer-loader-repair-manual/>
396. <https://www.heavymachineryequipment.com/downloads/new-holland-w50-w60-w70-w80-wheel-loader-service-manual/>
397. <https://www.heavymachineryequipment.com/downloads/new-holland-ls160-ls170-skid-steer-loader-service-manual/>
398. <https://www.heavymachineryequipment.com/downloads/john-deere-x500-x520-x530-x534-x540-select-series-repair-manual/>
399. <https://www.heavymachineryequipment.com/downloads/john-deere-x700-x740-x748-ultimate-workshop-manual/>
400. <https://www.heavymachineryequipment.com/downloads/john-deere-x475-x485-x465-x575-x585-service-manual/>
401. <https://www.heavymachineryequipment.com/checkout/>
402. <https://www.heavymachineryequipment.com/checkout/purchase-confirmation/>
403. <https://www.heavymachineryequipment.com/checkout/transaction-failed/>
404. <https://www.heavymachineryequipment.com/checkout/purchase-history/>
405. <https://www.heavymachineryequipment.com/kubota-service-repair-manual/>
406. <https://www.heavymachineryequipment.com/construction/wheeled-excavators/kerman/ew200/>
407. <https://www.heavymachineryequipment.com/construction/wheeled-excavators/kerman/>
408. <https://www.heavymachineryequipment.com/construction/wheeled-excavators/>
409. <https://www.heavymachineryequipment.com/construction/motor-graders/volvo/g940c/>
410. <https://www.heavymachineryequipment.com/construction/motor-graders/volvo/>
411. <https://www.heavymachineryequipment.com/constructions/>

# Excavator Service Repair Manual

412. <https://www.heavymachineryequipment.com/privacy-policy-2/>
413. <https://www.heavymachineryequipment.com/heavy-equipment/bomag/bomag-bw-154-ad-ac-4-tandem-rollers-service-manual/>
414. <https://www.heavymachineryequipment.com/heavy-equipment/bomag/bomag-bw-120-ad-4-bw-125-ad-4-service-manual/>
415. <https://www.heavymachineryequipment.com/heavy-equipment/bomag/bomag-bc-772-rb-sanitary-landfill-compactor-service-manual/>
416. <https://www.heavymachineryequipment.com/heavy-equipment/bomag/bomag-bw141ad-4bw151-ad-4bw151ac-4-manual/>
417. <https://www.heavymachineryequipment.com/heavy-equipment/bomag/bomag-bw172-2d-workshop-manuals-3-manuals/>
418. <https://www.heavymachineryequipment.com/heavy-equipment/bomag/bomag-bw211d-40-service-operators-manuals/>
419. <https://www.heavymachineryequipment.com/heavy-equipment/bomag/bomag-bw145d-repair-training-operation-manual/>
420. <https://www.heavymachineryequipment.com/komatsu/komatsu-gd530aw-2b-factory-service-manual/>
421. <https://www.heavymachineryequipment.com/komatsu/komatsu-gd530aw-2a-workshop-service-manual/>
422. <https://www.heavymachineryequipment.com/komatsu/komatsu-gd530aw-workshop-service-manual/>
423. <https://www.heavymachineryequipment.com/komatsu/komatsu-gd530a-2c-workshop-repair-service-manual/>
424. <https://www.heavymachineryequipment.com/komatsu/komatsu-gd530a-2b-workshop-repair-service-manual/>
425. <https://www.heavymachineryequipment.com/komatsu/komatsu-gd530a-2a-workshop-repair-service-manual/>
426. <https://www.heavymachineryequipment.com/komatsu/komatsu-gd530a-1e-repair-service-manual/>
427. <https://www.heavymachineryequipment.com/flat-allis/flat-allis-fd255-crawler-dozer-manual/>
428. <https://www.heavymachineryequipment.com/flat-allis/flat-allis-fd195-fd195l-crawler-dozer-manual/>
429. <https://www.heavymachineryequipment.com/flat-allis/flat-allis-fd175-crawler-dozer-manual/>
430. <https://www.heavymachineryequipment.com/flat-allis/flat-allis-fd145-crawler-dozer-manual/>
431. <https://www.heavymachineryequipment.com/flat-allis/flat-allis-fd80-crawler-dozer-manual-set/>
432. <https://www.heavymachineryequipment.com/flat-allis/flat-allis-945-wheel-loader-service-parts-manual/>

# Excavator Service Repair Manual

433. <https://www.heavymachineryequipment.com/flat-allis/flat-allis-745hb-wheel-loader-catalogue-manual/>
434. <https://www.heavymachineryequipment.com/flat-allis/flat-allis-745b-wheel-loader-service-parts-manual/>
435. <https://www.heavymachineryequipment.com/flat-allis/flat-allis-345b-wheel-loader-service-parts-manual/>
436. <https://www.heavymachineryequipment.com/flat-allis/flat-allis-16b-crawler-tractor-service-parts-manual/>
437. <https://www.heavymachineryequipment.com/champion/champion-road-machinery-700-workshop-service-repair/>
438. <https://www.heavymachineryequipment.com/case-products/case-845b-845b-dhp-865b-865b-vhp-service-repair-manual/>
439. <https://www.heavymachineryequipment.com/construction/motor-graders/volvo-service/>
440. <https://www.heavymachineryequipment.com/construction/motor-graders/>
441. <https://www.heavymachineryequipment.com/construction/>
442. <https://www.heavymachineryequipment.com/new-holland-service/volvo-marine-truck-engine-d11-workshop-manual/>
443. <https://www.heavymachineryequipment.com/gehl/gehl-5635-6635-skid-steer-part-ipl-manual/>
444. <https://www.heavymachineryequipment.com/manuals-technical/volvo-excavators/>
445. <https://www.heavymachineryequipment.com/manuals-technical/>
446. <https://www.heavymachineryequipment.com/case-products/dozer-bulldozer-service-manuals/case-750l-850l-tier-3-crawler-dozer-operators-manual/>
447. <https://www.heavymachineryequipment.com/error-404/>
448. <https://www.heavymachineryequipment.com/kobelco/kobelco-k903c-excavator-parts-catalog-manual/>
449. <https://www.heavymachineryequipment.com/daewoo-doosan/225lc-v-daewoo-doosan-crawler-excavator-parts-manual/>
450. <https://www.heavymachineryequipment.com/new-holland-service/new-holland-l565-skid-steer-loader-illustrated-parts-list-manual/>
451. <https://www.heavymachineryequipment.com/new-holland-service/new-holland-l781-skid-steer-loader-illustrated-parts-list-manual/>
452. <https://www.heavymachineryequipment.com/new-holland-service/new-holland-l775-skid-steer-loader-illustrated-parts-list-manual/>
453. <https://www.heavymachineryequipment.com/new-holland-service/new-holland-l779-skid-steer-loader-illustrated-parts-list-manual/>
454. <https://www.heavymachineryequipment.com/gehl/gehl-5635-6635-skid-loaders-service-repair-manual/>



# Excavator Service Repair Manual

455. <https://www.heavymachineryequipment.com/gehl/gehl-125-mix-all-parts-pdf-manual/>
456. <https://www.heavymachineryequipment.com/transmission/allison-transmission-2500-avs-service-repair-manual/>
457. <https://www.heavymachineryequipment.com/bobcat-parts/bobcat-compact-2006-track-loader-t300-turbo-high-flow/>
458. <https://www.heavymachineryequipment.com/transmission/allison-transmission-4500-sp-service-repair-manual/>
459. <https://www.heavymachineryequipment.com/transmission/allison-transmission-2100-pts-service-repair-manual/>
460. <https://www.heavymachineryequipment.com/hitachi-machinery/excavator-service-manuals/tadano-faun-mobile-crane-atf160g-5-original-operating-manual/>
461. <https://www.heavymachineryequipment.com/bobcat-parts/bobcat-compact-track-loader-g-series-t190-turbo-high-flow-service-repair-manual/>
462. <https://www.heavymachineryequipment.com/bobcat-parts/bobcat-compact-track-loader-t140-2009-sn-529311001-service-repair-manual/>
463. <https://www.heavymachineryequipment.com/bobcat-parts/bobcat-skid-steer-loader-s70-service-repair-manual/>
464. <https://www.heavymachineryequipment.com/case-products/tractor-equipment/mccormick-xtx-series-tractor-service-fix-manual/>
465. <https://www.heavymachineryequipment.com/case-products/tractor-equipment/mccormick-xtx215-xtx-215-tractor-service-fix-manual/>
466. <https://www.heavymachineryequipment.com/case-products/tractor-equipment/mccormick-xtx200-xtx-200-tractor-service-fix-manual/>
467. <https://www.heavymachineryequipment.com/case-products/tractor-equipment/mccormick-xtx185-xtx-185-tractor-service-fix-manual/>
468. <https://www.heavymachineryequipment.com/gehl/gehl-1640e-mustang-2012-skid-steer-loaders-service-repair-manual/>
469. <https://www.heavymachineryequipment.com/transmission/allison-transmission-3000-and-4000-service-repair-manual/>
470. <https://www.heavymachineryequipment.com/hitachi-machinery/hitachi-zaxis-zx650lc-3-zx670lc-3-excavator-parts-catalog-manual/>
471. <https://www.heavymachineryequipment.com/bobcat-parts/bobcat-x220-hydraulic-excavator-service-workshop-manual/>
472. <https://www.heavymachineryequipment.com/bobcat-parts/bobcat-x225-hydraulic-excavator-service-workshop-manual/>
473. <https://www.heavymachineryequipment.com/bobcat-parts/bobcat-310-313-skid-steer-loader-service-repair/>

# Excavator Service Repair Manual

474. <https://www.heavymachineryequipment.com/bobcat-parts/bobcat-310-313-skid-steer-loader-factory-manual/>
475. <https://www.heavymachineryequipment.com/bobcat-parts/bobcat-316-mini-excavator-solution-repair-service-guidebook/>
476. <https://www.heavymachineryequipment.com/bobcat-parts/bobcat-319-compact-excavator-solution-repair-manual/>
477. <https://www.heavymachineryequipment.com/bobcat-parts/bobcat-x320-x322-hydraulic-excavator-workshop-manual/>
478. <https://www.heavymachineryequipment.com/bobcat-parts/bobcat-320-320l-322-d-series-excavator-repair-handbook/>
479. <https://www.heavymachineryequipment.com/agriculture/crawler-tractors/case/450-2/>
480. <https://www.heavymachineryequipment.com/agriculture/crawler-tractors/case/850-k/>
481. <https://www.heavymachineryequipment.com/agriculture/crawler-tractors/case/750-k/>
482. <https://www.heavymachineryequipment.com/agriculture/crawler-tractors/case/650-k/>
483. <https://www.heavymachineryequipment.com/new-holland-service/new-holland-tn55-tn65-tn70-tn75-tractor-service-repair-manual/>
484. <https://www.heavymachineryequipment.com/bobcat-parts/bobcat-741-742-743-743ds-skid-steer-loader-service-workshop-manual/>
485. <https://www.heavymachineryequipment.com/bobcat-parts/bobcat-323-compact-excavator-service-manual/>
486. <https://www.heavymachineryequipment.com/case-products/case-cx350b-excavator-tier-3-factory-operators-owner-maintenance-manual/>
487. <https://www.heavymachineryequipment.com/agriculture/crawler-tractors/case/350-b/>
488. <https://www.heavymachineryequipment.com/agriculture/crawler-tractors/case/>
489. <https://www.heavymachineryequipment.com/agriculture/crawler-tractors/>
490. <https://www.heavymachineryequipment.com/agriculture/tractors/new-holland/>
491. <https://www.heavymachineryequipment.com/agriculture/tractors/>
492. <https://www.heavymachineryequipment.com/agriculture/>
493. <https://www.heavymachineryequipment.com/bobcat-parts/bobcat-753-skid-steer-loader-service-repair-workshop-manual/>
494. <https://www.heavymachineryequipment.com/bobcat-parts/bobcat-325-328-portable-excavator-repair-guidebook/>
495. <https://www.heavymachineryequipment.com/bobcat-parts/bobcat-329-compact-excavator-service-repair-manual/>
496. <https://www.heavymachineryequipment.com/bobcat-parts/bobcat-x56-x76-excavator-solution-repair-service-manual/>

# Excavator Service Repair Manual

497. <https://www.heavymachineryequipment.com/bobcat-parts/bobcat-x231-hydraulic-excavator-repair-workshop-manual/>
498. <https://www.heavymachineryequipment.com/bobcat-parts/bobcat-320-322-hydraulic-excavator-workshop-manual/>
499. <https://www.heavymachineryequipment.com/bobcat-parts/bobcat-x331-x331e-x334-hydraulic-excavator-service-fixing-manual/>
500. <https://www.heavymachineryequipment.com/bobcat-parts/bobcat-331-331e-334-compact-excavator-workshop-manual/>
501. <https://www.heavymachineryequipment.com/bobcat-parts/bobcat-335-compact-excavator-service-handbook/>
502. <https://www.heavymachineryequipment.com/new-holland-service/new-holland-t8030-t8040-master-tractor-service-repair-manual/>
503. <https://www.heavymachineryequipment.com/new-holland-service/new-holland-e115sr-e135sr-crawler-excavator-service-manual/>
504. <https://www.heavymachineryequipment.com/new-holland-service/new-holland-200-l213-l215-l218-l220-l223-l225-l230-skid-steer-service-manual/>
505. <https://www.heavymachineryequipment.com/new-holland-service/case-new-holland-445-m2-445t-668t-diesel-engine-service-manual/>
506. <https://www.heavymachineryequipment.com/new-holland-service/case-new-holland-kobelco-667ta-eeg-667ta-eec-667ta-service-repair-workshop-manual/>
507. <https://www.heavymachineryequipment.com/cub-cadet/cub-cadet-1000-1500-series-riding-tractor-service-repair-manual/>
508. <https://www.heavymachineryequipment.com/new-holland-service-repair-manual/>
509. <https://www.heavymachineryequipment.com/new-holland-service/new-holland-b95tc-tractor-loader-backhoe-tlb-illustrated-parts-manual/>
510. <https://www.heavymachineryequipment.com/new-holland-service/new-holland-kobelco-lb-115-b-backhoe-loader-parts-manual/>
511. <https://www.heavymachineryequipment.com/new-holland-service/new-holland-b90b-b90blr-b95b-b95blr-b95btc-service-parts-catalogue-manual/>
512. <https://www.heavymachineryequipment.com/case-products/tractor-equipment/case-274-tractor-harvester-repair-manual/>
513. <https://www.heavymachineryequipment.com/case-products/case-580-super-k-580sk-loader-backhoe-operators-manual/>
514. <https://www.heavymachineryequipment.com/case-products/operator/case-ih-8455-8460-round-baler-tractor-operators-manual-splendid/>
515. <https://www.heavymachineryequipment.com/case-products/case-580ck-loader-backhoe-tractor-parts-manual-equipment/>

# Excavator Service Repair Manual

516. <https://www.heavymachineryequipment.com/case-products/operator/case-jx55-jx65-jx75-jx85-jx95-operator-manual/>
517. <https://www.heavymachineryequipment.com/case-products/tractor-equipment/case-ih-cx-50-60-70-80-90-100-repair-service-manual-brands/>
518. <https://www.heavymachineryequipment.com/case-products/case-320-tractor-loader-backhoe-operators-manual/>
519. <https://www.heavymachineryequipment.com/case-products/operator-manuals/>
520. <https://www.heavymachineryequipment.com/case-products/dozer-bulldozer-service-manual/>
521. <https://www.heavymachineryequipment.com/volvo-equipment/wheel-loader-service-manual/volvo-l90h-wheel-loaders-workshop-service-manual/>
522. <https://www.heavymachineryequipment.com/case-products/operator/case-ih-steiger-400-450-500-550-600-tier-2-operators-manual/>
523. <https://www.heavymachineryequipment.com/case-products/tractor-equipment/case-international-ih-235-235h-245-255-265-275-tractor-shop-manual/>
524. <https://www.heavymachineryequipment.com/terex-machinery/>
525. <https://www.heavymachineryequipment.com/volvo-equipment/wheel-loader-service-manual/volvo-l70h-wheel-loaders-workshop-service-manual/>
526. <https://www.heavymachineryequipment.com/volvo-equipment/wheel-loader-service-manual/volvo-l60h-wheel-loaders-workshop-service-manual/>
527. <https://www.heavymachineryequipment.com/case-products/tractor-equipment/case-7130-7140-tractor-service-manual/>
528. <https://www.heavymachineryequipment.com/case-products/tractor-equipment/case-va-vac-vaevah-vao-tractor-engine-repair-manual/>
529. <https://www.heavymachineryequipment.com/case-products/operator/case-9050b-excavator-operators-manual/>
530. <https://www.heavymachineryequipment.com/case-products/case-cx330-cx350-crawler-excavator-service-manual/>
531. <https://www.heavymachineryequipment.com/case-products/case-16b-18b-cx-mini-excavator-repair-manual/>
532. <https://www.heavymachineryequipment.com/case-products/crawler-digger/case-cx350c-cx370c-tier-4-excavator-repair-manual/>
533. <https://www.heavymachineryequipment.com/trucks-service-repair/hino-ranger-500-trucks-2001-2016-factory-service-shop-manual/>
534. <https://www.heavymachineryequipment.com/case-products/case-ih-stx280-stx330-stx380-tractor-service-repair-manual/>
535. <https://www.heavymachineryequipment.com/case-products/case-multicontroller-tractor-service-repair-manuals/>
536. <https://www.heavymachineryequipment.com/case-products/backhoe-loader-repair-manual-pdf/>

# Excavator Service Repair Manual

537. <https://www.heavymachineryequipment.com/case-products/excavator-service-repair-manuals/>
  538. <https://www.heavymachineryequipment.com/hitachi-machinery/excavator-service-manuals/hitachi-zaxis-zx-120-3-excavator-workshop-manual/>
  539. <https://www.heavymachineryequipment.com/hitachi-machinery/hitachi-zaxis-zx-130k-3-130l-3-excavator-workshop-service-manual/>
  540. <https://www.heavymachineryequipment.com/hitachi-machinery/hitachi-zaxis-zx-200-225-230-270/>
  541. <https://www.heavymachineryequipment.com/hitachi-machinery/hitachi-zaxis-zx-670lc-5g-excavator-workshop-service-manual/>
  542. <https://www.heavymachineryequipment.com/hitachi-machinery/excavator-service-manuals/hitachi-zaxis-70-3-70lc-3-75us-3-80lck-3-85usb-3-excavator-operator-manual/>
  543. <https://www.heavymachineryequipment.com/hitachi-machinery/hitachi-zaxis-27u-2-30u-2-35u-2-40u-2-50u-2-operator-manual/>
  544. <https://www.heavymachineryequipment.com/hitachi-machinery/zaxis-excavators-service-manuals/zx-repair-ebook/>
  545. <https://www.heavymachineryequipment.com/hitachi-machinery/ex-shovels-service-manuals/>
  546. <https://www.heavymachineryequipment.com/hitachi-machinery/zaxis-excavators-service-manuals/>
  547. <https://www.heavymachineryequipment.com/hitachi-machinery/>
  548. <https://www.heavymachineryequipment.com/case-products/>
  549. <https://www.heavymachineryequipment.com/volvo-excavator-models/hydraulic-excavator/>
  550. <https://www.heavymachineryequipment.com/hyundai-equipment-service/>
  551. <https://www.heavymachineryequipment.com/volvo-excavator-models/articulated-hauler/>
  552. <https://www.heavymachineryequipment.com/volvo-excavator-models/wheel-loader/>
  553. <https://www.heavymachineryequipment.com/volvo-excavator-models/backhoe-loader-service-manual/>
  554. <https://www.heavymachineryequipment.com/volvo-equipment/skid-steer-loader/volvo-construction-equipment/>
  555. <https://www.heavymachineryequipment.com/volvo-excavator-models/skid-steer-loader/>
  556. <https://www.heavymachineryequipment.com/contact/>
  557. <https://www.heavymachineryequipment.com/volvo-owner-manual/>
  558. <https://www.heavymachineryequipment.com/volvo-excavator-models/>
  559. <https://www.heavymachineryequipment.com/excavator-brands-service-repair/>
-

# **Excavator Service Repair Manual**